

## CA-IS371x/2x High-Speed Single/Dual-Channel Digital Isolators

### 1. Key Features

- Signal Rate: DC to 150Mbps
- Wide Operating Supply Voltage: 2.5V to 5.5V
- Wide Operating Temperature Range: -40°C to 125°C
- No Start-Up Initialization Required
- Default Output High and Low Options
- High Electromagnetic Immunity
- High CMTI:  $\pm 100\text{kV}/\mu\text{s}$  (Typical)
- Low Power Consumption (Typical):
  - 1.5mA per Channel at 1Mbps with 5.0V Supply
  - 6.6mA per Channel at 100Mbps with 5.0V Supply
- Precise Timing (Typical)
  - 8ns Propagation Delay
  - 1ns Pulse Width Distortion
  - 2ns Propagation Delay Skew
  - 5ns Minimum Pulse Width
- Isolation Rating up to 3.75kVrms
- Isolation Barrier Life: >40 Years
- Schmitt Trigger Inputs
- RoHS-Compliant Packages
  - SOIC-8
  - SOIC-16 Wide Body

### 2. Applications

- Industrial Automation Systems
- Motor Control
- Medical Electronics
- Isolated Switch Mode Supplies
- Solar Inverters
- Isolated ADC, DAC

### 3. Description

The CA-IS371x/2x devices are high-performance single/dual - channel digital isolators with precise timing characteristics and low power consumption. The CA-IS371x/2x devices provide high electromagnetic immunity and low emissions, while isolating CMOS digital I/Os. All device versions have Schmitt trigger input for high noise immunity. Each isolation channel consists of a transmitter and a receiver separated by silicon dioxide ( $\text{SiO}_2$ ) insulation barrier. The CA-IS3710 device has one channel, the CA-IS3720 device has two

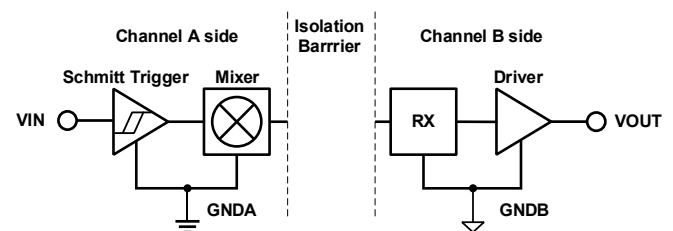
channels in the same direction, the CA-IS3721 device has one forward and one reverse-direction channels, and the CA-IS3722 device has the channel configuration that is opposite to CA-IS3721. All devices have fail-safe mode option. If the input power or signal is lost, default output is low for devices with suffix L and high for devices with suffix H.

CA-IS371x/2x devices has high insulation capability to handle noise and surge on a data bus or other circuits from entering the local ground and interfering with or damaging sensitive circuitry. High CMTI ability promises the correct transmission of digital signal. The CA-IS371x/2x devices are available in 8-pin SOIC and 16-pin wide body SOIC packages. All products have 3.75kVrms isolation rating, and products in wide-body packages support insulation withstanding up to 5kVrms.

### Device Information

PART NUMBER	PACKAGE	BODY SIZE(NOM)
CA-IS3710, CA-IS3720, CA-IS3721, CA-IS3722	SOIC8 (S)	4.90 mm x3.90 mm
	SOIC16-WB(W)	10.30mm x7.50 mm

### Simplified Channel Structure



Channel A side and B side are separated by isolation capacitors. GNDA and GNDB are the isolated ground for signals and supplies of A side and B side respectively.

#### 4. Ordering Guide

Table 4-1 Ordering Guide for Valid Ordering Part Number

Ordering Part Number	Number of Inputs A Side	Number of Inputs B Side	Default Output	Isolation Rating (kV)	Output Enable	Package
CA-IS3710LS	1	0	Low	3.75	No	SOIC-8
CA-IS3710LW	1	0	Low	5.0	No	WB SOIC-16
CA-IS3710HS	1	0	High	3.75	No	SOIC-8
CA-IS3710HW	1	0	High	5.0	No	WB SOIC-16
CA-IS3720LS	2	0	Low	3.75	No	SOIC-8
CA-IS3720LW	2	0	Low	5.0	No	WB SOIC-16
CA-IS3720HS	2	0	High	3.75	No	SOIC-8
CA-IS3720HW	2	0	High	5.0	No	WB SOIC-16
CA-IS3721LS	1	1	Low	3.75	No	SOIC-8
CA-IS3721LW	1	1	Low	5.0	No	WB SOIC-16
CA-IS3721HS	1	1	High	3.75	No	SOIC-8
CA-IS3721HW	1	1	High	5.0	No	WB SOIC-16
CA-IS3722LS	1	1	Low	3.75	No	SOIC-8
CA-IS3722LW	1	1	Low	5.0	No	WB SOIC-16
CA-IS3722HS	1	1	High	3.75	No	SOIC-8
CA-IS3722HW	1	1	High	5.0	No	WB SOIC-16

# Table of Contents

<b>1. Key Features .....</b>	<b>1</b>	7.9. Supply Current Characteristics.....	11
<b>2. Applications.....</b>	<b>1</b>	7.9.1. $V_{DDA} = V_{DDB} = 5\text{ V} \pm 10\%$ , $T_A = -40\text{ to }125^\circ\text{C}$ .....	11
<b>3. Description .....</b>	<b>1</b>	7.9.2. $V_{DDA} = V_{DDB} = 3.3\text{ V} \pm 10\%$ , $T_A = -40\text{ to }125^\circ\text{C}$ ....	12
<b>4. Ordering Guide .....</b>	<b>2</b>	7.9.3. $V_{DDA} = V_{DDB} = 2.5\text{ V} \pm 5\%$ , $T_A = -40\text{ to }125^\circ\text{C}$ .....	13
<b>5. Revision History .....</b>	<b>3</b>	7.10. Timing Characteristics.....	14
<b>6. PIN Descriptions and Functions .....</b>	<b>4</b>	7.10.1. $V_{DDA} = V_{DDB} = 5\text{ V} \pm 10\%$ , $T_A = -40\text{ to }125^\circ\text{C}$ .....	14
<b>7. Specifications.....</b>	<b>6</b>	7.10.2. $V_{DDA} = V_{DDB} = 3.3\text{ V} \pm 10\%$ , $T_A = -40\text{ to }125^\circ\text{C}$ ...	14
7.1. Absolute Maximum Ratings <sup>1</sup> .....	6	7.10.3. $V_{DDA} = V_{DDB} = 2.5\text{ V} \pm 5\%$ , $T_A = -40\text{ to }125^\circ\text{C}$ .....	14
7.2. ESD Ratings.....	6	<b>8. Parameter Measurement Information .....</b>	<b>15</b>
7.3. Recommended Operating Conditions .....	6	<b>9. Detailed Description .....</b>	<b>17</b>
7.4. Thermal Information .....	7	9.1. Theory of Operation .....	17
7.5. Power Rating .....	7	9.2. Functional Block Diagram .....	17
7.6. Insulation Specifications .....	8	9.3. Device Operation Modes .....	18
7.7. Safety-Related Certifications.....	9	<b>10. Application and Implementation .....</b>	<b>19</b>
7.8. Electrical Characteristics .....	10	<b>11. Package Information .....</b>	<b>20</b>
7.8.1. $V_{DDA} = V_{DDB} = 5\text{ V} \pm 10\%$ , $T_A = -40\text{ to }125^\circ\text{C}$ .....	10	11.1. 16-Pin Wide Body SOIC Package Outline .....	20
7.8.2. $V_{DDA} = V_{DDB} = 3.3\text{ V} \pm 10\%$ , $T_A = -40\text{ to }125^\circ\text{C}$ .....	10	11.2. 8-Pin SOIC Package Outline.....	21
7.8.3. $V_{DDA} = V_{DDB} = 2.5\text{ V} \pm 5\%$ , $T_A = -40\text{ to }125^\circ\text{C}$ .....	10	<b>TAPE AND REEL INFORMATION .....</b>	<b>22</b>

## 5. Revision History

### Revision 0: Initial version.

#### Revision 0 to Revision A

- Updated 3 Description
- Updated Table 4-1
  - Changes to Isolation Rating
- Updated Figure 6-1
  - Changes to Pin Names
- Updated Table 6-1
  - Changes to Pin Names
- Updated Figure 6-2
  - Changes to Pin Names
- Updated Table 6-2
  - Changes to Pin Names
- Updated 7.6 Insulation Specifications
- Updated 11.1 16-Pin Wide Body SOIC Package Outline

## 6. PIN Descriptions and Functions

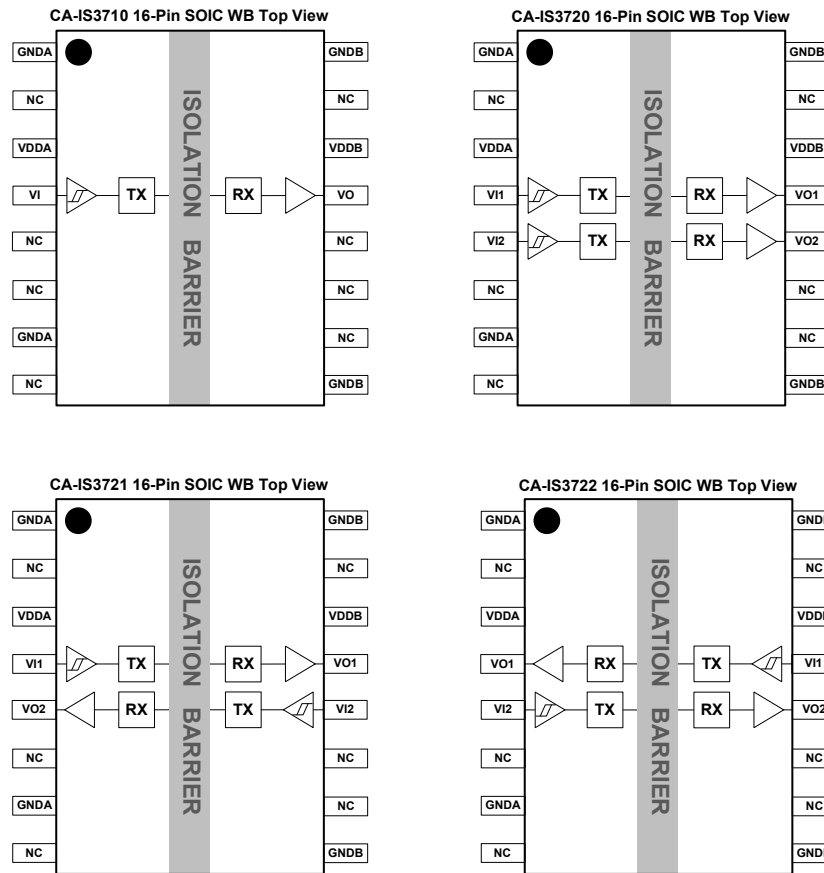


Figure 6-1 CA-IS371x/2x in 16-Pin SOIC Wide Body Package Top View

Table 6-1 CA-IS371x/2x in 16-Pin SOIC Wide Body Package Pin Description and Functions

Name	SOIC-16 Pin#	Type	Description
GNDA	1	Ground	Side A Ground
NC	2	No Connect	No Connect
VDDA	3	Supply	Side A Power Supply
VI1/VO1	4	Digital I/O	Side A Digital Input for CA-IS3710/20/21 or Output for CA-IS3722
VI2/VO2/NC <sup>1</sup>	5	Digital I/O	Side A Digital Input for CA-IS3720/22 or Output for CA-IS3721. No Connect for CA-IS3710.
NC	6	No Connect	No Connect
GNDA	7	Ground	Side A Ground
NC	8	No Connect	No Connect
GNDB	9	Ground	Side B Ground
NC	10	No Connect	No Connect
NC	11	No Connect	No Connect
VI2/VO2	12	Digital I/O	Side B Digital Input for CA-IS3721 or Output for CA-IS3720/22. No Connect for CA-IS3710.
VI1/VO1	13	Digital I/O	Side B Digital Input for CA-IS3722 or Output for CA-IS3710/20/21
VDDB	14	Supply	Side B Power Supply
NC	15	No Connect	No Connect
GNDB	16	Ground	Side B Ground

**Note:**

1. No Connect. These pins are not internally connected. They can be left floating, tied to VDD or tied to GND

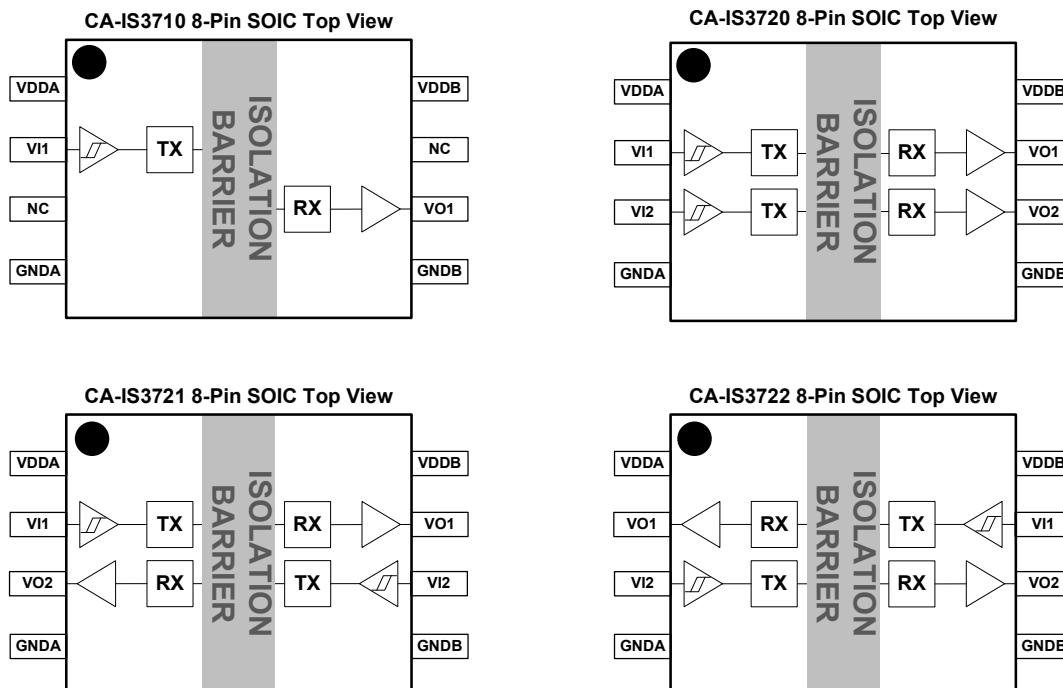


Figure 6-2 CA-IS371x/2x in 8-Pin SOIC Package Top View

Table 6-2 CA-IS371x/2x in 8-Pin SOIC Package Pin Description and Functions

Name	SOIC-8 Pin#	Type	Description
VDDA	1	Supply	Side A Power Supply
VI1/VO1	2	Digital I/O	Side A Digital Input for CA-IS3710/20/21 or Output for CA-IS3722
VI2/VO2/NC	3	Digital I/O	Side A Digital Input for CA-IS3720/22 or Output for CA-IS3721. NC for CA-IS3710
GNDA	4	Ground	Side A Ground
GNDB	5	Ground	Side B Ground
VI2/VO1/VO2	6	Digital I/O	Side B Digital Input for CA-IS3721 or Output for CA-IS3710/20/22.
VI1/VO1/NC	7	Digital I/O	Side B Digital Input for CA-IS3722 or Output for CA-IS3720/21. NC for CA-IS3710
VDDB	8	Supply	Side B Power Supply

**Note:**

1. No Connect. These pins are not internally connected. They can be left floating, tied to VDD or tied to GND

## 7. Specifications

### 7.1. Absolute Maximum Ratings<sup>1</sup>

		MIN	MAX	UNIT
$V_{DDA}, V_{DDB}$	Supply Voltage <sup>2</sup>	-0.5	6.0	V
$V_{in}$	Voltage at Ax, Bx, ENx	-0.5	$V_{DDA}+0.5^3$	V
$I_o$	Output Current	-20	20	mA
$T_j$	Junction Temperature		150	°C
$T_{STG}$	Storage Temperature	-65	150	°C

**NOTE:**

- Stresses beyond those listed under *Absolute Maximum Ratings* may cause permanent damage to the device. These are stress ratings only and functional operation of the device at these or any other conditions beyond those indicated under *Recommended Operating Conditions* is not implied. Exposure to absolute-maximum-rated conditions for extended periods may affect device reliability.
- All voltage values except differential I/O bus voltages are with respect to the local ground terminal (GNDA or GNDB) and are peak voltage values.
- Maximum voltage must not exceed 6 V.

### 7.2. ESD Ratings

		VALUE	UNIT
$V_{ESD}$ Electrostatic discharge	Human body model (HBM), per ANSI/ESDA/JEDEC JS-001, all pins <sup>1</sup>	±4000	V
	Charged device model (CDM), per JEDEC specification JESD22-C101, all pins <sup>2</sup>	±1000	

**NOTE:**

- JEDEC document JEP155 states that 500-V HBM allows safe manufacturing with a standard ESD control process.
- JEDEC document JEP157 states that 250-V CDM allows safe manufacturing with a standard ESD control process.

### 7.3. Recommended Operating Conditions

		MIN	TYP	MAX	UNIT
$V_{DDA}, V_{DDB}$	Supply Voltage	2.375	3.3	5.5	V
$V_{DD} (UVLO+)$	VDD Undervoltage Threshold When Supply Voltage is Rising	1.95	2.24	2.375	V
$V_{DD} (UVLO-)$	VDD Undervoltage Threshold When Supply Voltage is Falling	1.88	2.10	2.325	V
$V_{HYS} (UVLO)$	VDD Undervoltage Threshold Hysteresis	70	140	250	mV
$I_{OH}$	High-level Output Current	$V_{DDO}^1 = 5V$		-4	mA
		$V_{DDO} = 3.3V$		-2	
		$V_{DDO} = 2.5V$		-1	
$I_{OL}$	Low-level Output Current	$V_{DDO} = 5V$		4	mA
		$V_{DDO} = 3.3V$		2	
		$V_{DDO} = 2.5V$		1	
$V_{IH}$	High-level Input Voltage	2.0			V
$V_{IL}$	Low-level Input Voltage			0.8	V
DR	Data Rate	0		150	Mbps
$T_A$	Ambient Temperature	-40	27	125	°C

**NOTE:**

- $V_{DDO}$  = Output-side  $V_{DD}$

## 7.4. Thermal Information

THERMAL METRIC		CA-IS371x2x		UNIT
		S (SOIC)	W (SOIC)	
		8 Pins	16 Pins	
$R_{\theta JA}$	Junction-to-ambient thermal resistance	137.7	86.5	°C/W
$R_{\theta JC(top)}$	Junction-to-case(top) thermal resistance	54.9	49.6	°C/W
$R_{\theta JB}$	Junction-to-board thermal resistance	71.7	49.7	°C/W
$\psi_{JT}$	Junction-to-top characterization parameter	7.1	32.3	°C/W
$\psi_{JB}$	Junction-to-board characterization parameter	70.7	49.2	°C/W
$R_{\theta JC(bottom)}$	Junction-to-case(bottom) thermal resistance	n/a	n/a	°C/W

## 7.5. Power Rating

PARAMETER		TEST CONDITIONS	MIN	TYP	MAX	UNIT
<b>CA-IS3710</b>						
$P_D$	Maximum Power Dissipation	$V_{DDA} = V_{DDB} = 5.5\text{ V}$ , $C_L = 15\text{ pF}$ , $T_J = 150^\circ\text{C}$ , Input a 75-MHz 50% duty cycle square wave			90	mW
$P_{DA}$	Maximum Power Dissipation on Side-A				12	mW
$P_{DB}$	Maximum Power Dissipation on Side-B				78	mW
<b>CA-IS3720</b>						
$P_D$	Maximum Power Dissipation	$V_{DDA} = V_{DDB} = 5.5\text{ V}$ , $C_L = 15\text{ pF}$ , $T_J = 150^\circ\text{C}$ , Input a 75-MHz 50% duty cycle square wave			120	mW
$P_{DA}$	Maximum Power Dissipation on Side-A				20	mW
$P_{DB}$	Maximum Power Dissipation on Side-B				100	mW
<b>CA-IS3721</b>						
$P_D$	Maximum Power Dissipation	$V_{DDA} = V_{DDB} = 5.5\text{ V}$ , $C_L = 15\text{ pF}$ , $T_J = 150^\circ\text{C}$ , Input a 75-MHz 50% duty cycle square wave			120	mW
$P_{DA}$	Maximum Power Dissipation on Side-A				60	mW
$P_{DB}$	Maximum Power Dissipation on Side-B				60	mW
<b>CA-IS3722</b>						
$P_D$	Maximum Power Dissipation	$V_{DDA} = V_{DDB} = 5.5\text{ V}$ , $C_L = 15\text{ pF}$ , $T_J = 150^\circ\text{C}$ , Input a 75-MHz 50% duty cycle square wave			120	mW
$P_{DA}$	Maximum Power Dissipation on Side-A				60	mW
$P_{DB}$	Maximum Power Dissipation on Side-B				60	mW

**7.6. Insulation Specifications**

PARAMETR		TEST CONDITIONS	VALUE		UNIT
			W	S	
CLR	External clearance <sup>1</sup>	Shortest terminal-to-terminal distance through air	8	4	mm
CPG	External creepage <sup>1</sup>	Shortest terminal-to-terminal distance across the package surface	8	4	mm
DTI	Distance through the insulation	Minimum internal gap (internal clearance)	14	14	μm
CTI	Comparative tracking index	DIN EN 60112 (VDE 0303-11); IEC 60112	>600	>600	V
	Material group	According to IEC 60664-1	I	I	
	Overvoltage category per IEC 60664-1	Rated mains voltage ≤ 300 V <sub>RMS</sub>	I-IV	I-III	
		Rated mains voltage ≤ 400 V <sub>RMS</sub>	I-IV	I-III	
		Rated mains voltage ≤ 600 V <sub>RMS</sub>	I-III	n/a	
<b>DIN V VDE V 0884-11:2017-01<sup>2</sup></b>					
V <sub>IORM</sub>	Maximum repetitive peak isolation voltage	AC voltage (bipolar)	1414	637	V <sub>PK</sub>
V <sub>IOWM</sub>	Maximum working isolation voltage	AC voltage; Time dependent dielectric breakdown (TDDB) Test	1000	450	V <sub>RMS</sub>
		DC voltage	1414	637	V <sub>DC</sub>
V <sub>IOTM</sub>	Maximum transient isolation voltage	V <sub>TEST</sub> = V <sub>IOTM</sub> , t = 60 s (qualification); V <sub>TEST</sub> = 1.2 × V <sub>IOTM</sub> , t = 1 s (100% production)	7070	5300	V <sub>PK</sub>
V <sub>IOSM</sub>	Maximum surge isolation voltage <sup>3</sup>	Test method per IEC 60065, 1.2/50 μs waveform, V <sub>TEST</sub> = 1.6 × V <sub>IOSM</sub> (qualification)	6250	5000	V <sub>PK</sub>
Q <sub>pd</sub>	Apparent charge <sup>4</sup>	Method a, After Input/Output safety test subgroup 2/3, V <sub>ini</sub> = V <sub>IOTM</sub> , t <sub>ini</sub> = 60 s; V <sub>pd(m)</sub> = 1.2 × V <sub>IORM</sub> , t <sub>m</sub> = 10 s	≤5	≤5	pC
		Method a, After environmental tests subgroup 1, V <sub>ini</sub> = V <sub>IOTM</sub> , t <sub>ini</sub> = 60 s; V <sub>pd(m)</sub> = 1.6 × V <sub>IORM</sub> , t <sub>m</sub> = 10 s	≤5	≤5	
		Method b1, At routine test (100% production) and preconditioning (type test) V <sub>ini</sub> = 1.2 × V <sub>IOTM</sub> , t <sub>ini</sub> = 1 s; V <sub>pd(m)</sub> = 1.875 × V <sub>IORM</sub> , t <sub>m</sub> = 1 s	≤5	≤5	
C <sub>io</sub>	Barrier capacitance, input to output <sup>5</sup>	V <sub>IO</sub> = 0.4 × sin (2πft), f = 1 MHz	~0.5	~0.5	pF
R <sub>io</sub>	Isolation resistance <sup>5</sup>	V <sub>IO</sub> = 500 V, T <sub>A</sub> = 25°C	>10 <sup>12</sup>	>10 <sup>12</sup>	Ω
		V <sub>IO</sub> = 500 V, 100°C ≤ T <sub>A</sub> ≤ 125°C	>10 <sup>11</sup>	>10 <sup>11</sup>	
		V <sub>IO</sub> = 500 V at T <sub>S</sub> = 150°C	>10 <sup>9</sup>	>10 <sup>9</sup>	
	Pollution degree		2	2	
<b>UL 1577</b>					
V <sub>ISO</sub>	Maximum withstanding isolation voltage	V <sub>TEST</sub> = V <sub>ISO</sub> , t = 60 s (qualification), V <sub>TEST</sub> = 1.2 × V <sub>ISO</sub> , t = 1 s (100% production)	5.0	3.75	V <sub>RMS</sub>
<b>NOTE:</b>					
<ol style="list-style-type: none"> <li>Creepage and clearance requirements should be applied according to the specific equipment isolation standards of an application. Care should be taken to maintain the creepage and clearance distance of a board design to ensure that the mounting pads of the isolator on the printed-circuit board do not reduce this distance. Creepage and clearance on a printed-circuit board become equal in certain cases. Techniques such as inserting grooves and/or ribs on a printed circuit board are used to help increase these specifications.</li> <li>This coupler is suitable for safe electrical insulation only within the safety ratings. Compliance with the safety ratings shall be ensured by means of suitable protective circuits.</li> <li>Testing is carried out in air or oil to determine the intrinsic surge immunity of the isolation barrier.</li> <li>Apparent charge is electrical discharge caused by a partial discharge (pd).</li> <li>All pins on each side of the barrier tied together creating a two-terminal device.</li> </ol>					



## 7.7. Safety-Related Certifications

VDE(Pending)	CSA(Pending)	UL(Pending)	CQC(Pending)	TUV(Pending)
Certified according to DIN V VDE V 0884-11:2017-01	Certified according to IEC 60950-1, IEC 62368-1 and IEC 60601-1	Recognized under UL 1577 Component Recognition Program	Certified according to GB4943.1-2011	Certified according to EN 61010-1:2010 (3rd Ed) and EN 60950-1:2006/A2:2013
File	File	File	File	File

**7.8. Electrical Characteristics**
**7.8.1.  $V_{DDA} = V_{DDB} = 5\text{ V} \pm 10\%$ ,  $T_A = -40$  to  $125^\circ\text{C}$** 

PARAMETER		TEST CONDITIONS	MIN	TYP	MAX	UNIT
$V_{OH}$	High-level Output Voltage	$I_{OH} = -4\text{mA}$ ; <i>See Figure 8-1</i>	$V_{DDO}^{1-0.4}$	4.8		V
$V_{OL}$	Low-level Output Voltage	$I_{OL} = 4\text{mA}$ ; <i>See Figure 8-1</i>		0.2	0.4	V
$V_{IT+(IN)}$	Positive-going Input Threshold		1.4	1.67	1.9	V
$V_{IT-(IN)}$	Negative-going Input Threshold		1.0	1.23	1.4	V
$V_{I(HYS)}$	Input Threshold Hysteresis		0.30	0.44	0.50	V
$I_{IH}$	High-Level Input Leakage Current	$V_{IH} = V_{DDA}$ at Ax or Bx or ENx			4	$\mu\text{A}$
$I_{IL}$	Low-Level Input Leakage Current	$V_{IL} = 0\text{ V}$ at Ax or Bx	-4			$\mu\text{A}$
$Z_O$	Output Impedance <sup>2</sup>			50		$\Omega$
CMTI	Common-mode Transient Immunity	$V_I = V_{DDI}^1$ or 0 V, $V_{CM} = 1200\text{ V}$ ; <i>See Figure 8-3</i>	75	100		$\text{kV}/\mu\text{s}$
$C_i$	Input Capacitance <sup>3</sup>	$V_I = V_{DD}/2 + 0.4 \times \sin(2\pi ft)$ , $f = 1\text{ MHz}$ , $V_{DD} = 5\text{ V}$		2		pF

**NOTE:**

- $V_{DDI}$  = Input-side  $V_{DD}$ ,  $V_{DDO}$  = Output-side  $V_{DD}$
- The nominal output impedance of an isolator driver channel is approximately  $50\ \Omega \pm 40\%$ .
- Measured from pin to Ground.

**7.8.2.  $V_{DDA} = V_{DDB} = 3.3\text{ V} \pm 10\%$ ,  $T_A = -40$  to  $125^\circ\text{C}$** 

PARAMETER		TEST CONDITIONS	MIN	TYP	MAX	UNIT
$V_{OH}$	High-level Output Voltage	$I_{OH} = -4\text{mA}$ ; <i>See Figure 8-1</i>	$V_{DDO}^{1-0.4}$	3.1		V
$V_{OL}$	Low-level Output Voltage	$I_{OL} = 4\text{mA}$ ; <i>See Figure 8-1</i>		0.2	0.4	V
$V_{IT+(IN)}$	Positive-going Input Threshold		1.4	1.67	1.9	V
$V_{IT-(IN)}$	Negative-going Input Threshold		1.0	1.23	1.4	V
$V_{I(HYS)}$	Input Threshold Hysteresis		0.30	0.44	0.50	V
$I_{IH}$	High-Level Input Leakage Current	$V_{IH} = V_{DDA}$ at Ax or Bx or ENx			4	$\mu\text{A}$
$I_{IL}$	Low-Level Input Leakage Current	$V_{IL} = 0\text{ V}$ at Ax or Bx	-4			$\mu\text{A}$
$Z_O$	Output Impedance <sup>2</sup>			50		$\Omega$
CMTI	Common-mode Transient Immunity	$V_I = V_{DDI}^1$ or 0 V, $V_{CM} = 1200\text{ V}$ ; <i>See Figure 8-3</i>	75	100		$\text{kV}/\mu\text{s}$
$C_i$	Input Capacitance <sup>3</sup>	$V_I = V_{DD}/2 + 0.4 \times \sin(2\pi ft)$ , $f = 1\text{ MHz}$ , $V_{DD} = 3.3\text{ V}$		2		pF

**NOTE:**

- $V_{DDI}$  = Input-side  $V_{DD}$ ,  $V_{DDO}$  = Output-side  $V_{DD}$
- The nominal output impedance of an isolator driver channel is approximately  $50\ \Omega \pm 40\%$ .
- Measured from pin to Ground.

**7.8.3.  $V_{DDA} = V_{DDB} = 2.5\text{ V} \pm 5\%$ ,  $T_A = -40$  to  $125^\circ\text{C}$** 

PARAMETER		TEST CONDITIONS	MIN	TYP	MAX	UNIT
$V_{OH}$	High-level Output Voltage	$I_{OH} = -4\text{mA}$ ; <i>See Figure 8-1</i>	$V_{DDO}^{1-0.4}$	2.3		V
$V_{OL}$	Low-level Output Voltage	$I_{OL} = 4\text{mA}$ ; <i>See Figure 8-1</i>		0.2	0.4	V
$V_{IT+(IN)}$	Positive-going Input Threshold		1.4	1.67	1.9	V
$V_{IT-(IN)}$	Negative-going Input Threshold		1.0	1.23	1.4	V
$V_{I(HYS)}$	Input Threshold Hysteresis		0.30	0.44	0.50	V
$I_{IH}$	High-Level Input Leakage Current	$V_{IH} = V_{DDA}$ at Ax or Bx or ENx			4	$\mu\text{A}$
$I_{IL}$	Low-Level Input Leakage Current	$V_{IL} = 0\text{ V}$ at Ax or Bx	-4			$\mu\text{A}$
$Z_O$	Output Impedance <sup>2</sup>			50		$\Omega$
CMTI	Common-mode Transient Immunity	$V_I = V_{DDI}^1$ or 0 V, $V_{CM} = 1200\text{ V}$ ; <i>See Figure 8-3</i>	75	100		$\text{kV}/\mu\text{s}$
$C_i$	Input Capacitance <sup>3</sup>	$V_I = V_{DD}/2 + 0.4 \times \sin(2\pi ft)$ , $f = 1\text{ MHz}$ , $V_{DD} = 2.5\text{ V}$		2		pF

**NOTE:**

- $V_{DDI}$  = Input-side  $V_{DD}$ ,  $V_{DDO}$  = Output-side  $V_{DD}$
- The nominal output impedance of an isolator driver channel is approximately  $50\ \Omega \pm 40\%$ .
- Measured from pin to Ground.

**7.9. Supply Current Characteristics**
**7.9.1.  $V_{DDA} = V_{DDB} = 5V \pm 10\%$ ,  $T_A = -40$  to  $125^\circ\text{C}$** 

PARAMETER	TEST CONDITION	SUPPLY CURRENT	MIN	TYP	MAX	UNIT	
<b>CA-IS3710</b>							
Supply Current – DC Signal	$V_{IN} = 0V$ (CA-IS3710L); $V_{IN} = V_{DDA}$ (CA-IS3710H)	$I_{DDA}$	0.7	1.0		mA	
		$I_{DDB}$	0.9	1.4			
	$V_{IN} = V_{DDA}$ (CA-IS3710L); $V_{IN} = 0V$ (CA-IS3710H)	$I_{DDA}$	1.4	2.1			
		$I_{DDB}$	0.9	1.4			
Supply Current – AC Signal	All Channels Switching with 50% Duty Cycle Square Wave Clock Input with 5V Amplitude; $C_L = 15$ pF for Each Channel	1Mbps (500kHz)	$I_{DDA}$	1.0	1.5		
			$I_{DDB}$	1.0	1.5		
		10Mbps (5MHz)	$I_{DDA}$	1.0	1.5		
			$I_{DDB}$	1.5	2.2		
		100Mbps (50MHz)	$I_{DDA}$	1.0	1.5		
			$I_{DDB}$	6.2	9.3		
<b>CA-IS3720</b>							
Supply Current – DC Signal	$V_{IN} = 0V$ (CA-IS3720L); $V_{IN} = V_{DDI}^1$ (CA-IS3720H)	$I_{DDA}$	0.8	1.2		mA	
		$I_{DDB}$	1.6	2.3			
	$V_{IN} = V_{DDI}$ (CA-IS3720L); $V_{IN} = 0V$ (CA-IS3720H)	$I_{DDA}$	2.3	3.5			
		$I_{DDB}$	1.6	2.4			
Supply Current – AC Signal	All Channels Switching with 50% Duty Cycle Square Wave Clock Input with 5V Amplitude; $C_L = 15$ pF for Each Channel	1Mbps (500kHz)	$I_{DDA}$	1.6	2.3		
			$I_{DDB}$	1.7	2.6		
		10Mbps (5MHz)	$I_{DDA}$	1.6	2.3		
			$I_{DDB}$	2.7	4.0		
		100Mbps (50MHz)	$I_{DDA}$	1.6	2.3		
			$I_{DDB}$	12.2	18.2		
<b>CA-IS3721</b>							
Supply Curr2.0ent – DC Signal	$V_{IN} = 0V$ (CA-IS3721L); $V_{IN} = V_{DDI}$ (CA-IS3721H)	$I_{DDA}$	1.3	2.0		mA	
		$I_{DDB}$	1.3	2.0			
	$V_{IN} = V_{DDI}$ (CA-IS3721L); $V_{IN} = 0V$ (CA-IS3721H)	$I_{DDA}$	2.1	3.1			
		$I_{DDB}$	2.1	3.1			
Supply Curre3.1nt – AC Signal	All Channels Switching with 50% Duty Cycle Square Wave Clock Input with 5V Amplitude; $C_L = 15$ pF for Each Channel	1Mbps (500kHz)	$I_{DDA}$	1.8	2.6		
			$I_{DDB}$	1.8	2.6		
		10Mbps (5MHz)	$I_{DDA}$	2.2	3.3		
			$I_{DDB}$	2.2	3.3		
		100Mbps (50MHz)	$I_{DDA}$	7.0	10.5		
			$I_{DDB}$	7.0	10.5		
<b>CA-IS3722</b>							
Supply Current – DC Signal	$V_{IN} = 0V$ (CA-IS3722L); $V_{IN} = V_{DDI}$ (CA-IS3722H)	$I_{DDA}$	1.3	2.0		mA	
		$I_{DDB}$	1.3	2.0			
	$V_{IN} = V_{DDI}$ (CA-IS3722L); $V_{IN} = 0V$ (CA-IS3722H)	$I_{DDA}$	2.1	3.1			
		$I_{DDB}$	2.1	3.1			
Supply Current – AC Signal	All Channels Switching with 50% Duty Cycle Square Wave Clock Input with 5V Amplitude; $C_L = 15$ pF for Each Channel	1Mbps (500kHz)	$I_{DDA}$	1.8	2.6		
			$I_{DDB}$	1.8	2.6		
		10Mbps (5MHz)	$I_{DDA}$	2.2	3.3		
			$I_{DDB}$	2.2	3.3		
		100Mbps (50MHz)	$I_{DDA}$	7.0	10.5		
			$I_{DDB}$	7.0	10.5		
<b>Note:</b>							
1. $V_{DDI}$ = Input-side $V_{DD}$							

**7.9.2.  $V_{DDA} = V_{DDB} = 3.3\text{ V} \pm 10\%$ ,  $T_A = -40\text{ to }125^\circ\text{C}$** 

PARAMETER	TEST CONDITION	SUPPLY CURRENT	MIN	TYP	MAX	UNIT	
<b>CA-IS3710</b>							
Supply Current – DC Signal	$V_{IN} = 0\text{V}$ (CA-IS3710L); $V_{IN} = V_{DDA}$ (CA-IS3710H)	$I_{DDA}$	0.7	1.0		mA	
		$I_{DDB}$	0.9	1.4			
	$V_{IN} = V_{DDA}$ (CA-IS3710L); $V_{IN} = 0\text{V}$ (CA-IS3710H)	$I_{DDA}$	1.4	2.1			
		$I_{DDB}$	0.9	1.4			
Supply Current – AC Signal	All Channels Switching with 50% Duty Cycle Square Wave Clock Input with 5V Amplitude; $C_L = 15\text{ pF}$ for Each Channel	1Mbps (500kHz)	$I_{DDA}$	1.0	1.5		
			$I_{DDB}$	1.0	1.5		
		10Mbps (5MHz)	$I_{DDA}$	1.0	1.5		
			$I_{DDB}$	1.3	2.0		
		100Mbps (50MHz)	$I_{DDA}$	1.0	1.5		
			$I_{DDB}$	4.7	7.1		
<b>CA-IS3720</b>							
Supply Current – DC Signal	$V_{IN} = 0\text{V}$ (CA-IS3720L); $V_{IN} = V_{DDI}^1$ (CA-IS3720H)	$I_{DDA}$	0.8	1.2		mA	
		$I_{DDB}$	1.6	2.3			
	$V_{IN} = V_{DDI}$ (CA-IS3720L); $V_{IN} = 0\text{V}$ (CA-IS3720H)	$I_{DDA}$	2.3	3.5			
		$I_{DDB}$	1.6	2.4			
Supply Current – AC Signal	All Channels Switching with 50% Duty Cycle Square Wave Clock Input with 5V Amplitude; $C_L = 15\text{ pF}$ for Each Channel	1Mbps (500kHz)	$I_{DDA}$	1.6	2.3		
			$I_{DDB}$	1.7	2.6		
		10Mbps (5MHz)	$I_{DDA}$	1.6	2.3		
			$I_{DDB}$	2.4	3.6		
		100Mbps (50MHz)	$I_{DDA}$	1.6	2.3		
			$I_{DDB}$	9.2	13.7		
<b>CA-IS3721</b>							
Supply Current – DC Signal	$V_{IN} = 0\text{V}$ (CA-IS3721L); $V_{IN} = V_{DDI}$ (CA-IS3721H)	$I_{DDA}$	1.3	2.0		mA	
		$I_{DDB}$	1.3	2.0			
	$V_{IN} = V_{DDI}$ (CA-IS3721L); $V_{IN} = 0\text{V}$ (CA-IS3721H)	$I_{DDA}$	2.1	3.1			
		$I_{DDB}$	2.1	3.1			
Supply Current – AC Signal	All Channels Switching with 50% Duty Cycle Square Wave Clock Input with 5V Amplitude; $C_L = 15\text{ pF}$ for Each Channel	1Mbps (500kHz)	$I_{DDA}$	1.8	2.6		
			$I_{DDB}$	1.8	2.6		
		10Mbps (5MHz)	$I_{DDA}$	2.1	3.2		
			$I_{DDB}$	2.1	3.2		
		100Mbps (50MHz)	$I_{DDA}$	5.5	8.2		
			$I_{DDB}$	5.5	8.2		
<b>CA-IS3722</b>							
Supply Current – DC Signal	$V_{IN} = 0\text{V}$ (CA-IS3722L); $V_{IN} = V_{DDI}$ (CA-IS3722H)	$I_{DDA}$	1.3	2.0		mA	
		$I_{DDB}$	1.3	2.0			
	$V_{IN} = V_{DDI}$ (CA-IS3722L); $V_{IN} = 0\text{V}$ (CA-IS3722H)	$I_{DDA}$	2.1	3.1			
		$I_{DDB}$	2.1	3.1			
Supply Current – AC Signal	All Channels Switching with 50% Duty Cycle Square Wave Clock Input with 5V Amplitude; $C_L = 15\text{ pF}$ for Each Channel	1Mbps (500kHz)	$I_{DDA}$	1.8	2.6		
			$I_{DDB}$	1.8	2.6		
		10Mbps (5MHz)	$I_{DDA}$	2.1	3.2		
			$I_{DDB}$	2.1	3.2		
		100Mbps (50MHz)	$I_{DDA}$	5.5	8.2		
			$I_{DDB}$	5.5	8.2		
<b>Note:</b>							
1. $V_{DDI}$ = Input-side $V_{DD}$							

**7.9.3.  $V_{DDA} = V_{DDB} = 2.5 V \pm 5\%$ ,  $T_A = -40$  to  $125^\circ C$** 

PARAMETER	TEST CONDITION	SUPPLY CURRENT	MIN	TYP	MAX	UNIT	
<b>CA-IS3710</b>							
Supply Current – DC Signal	$V_{IN} = 0V$ (CA-IS3710L); $V_{IN} = V_{DDA}$ (CA-IS3710H)	$I_{DDA}$		0.7	1.0	mA	
		$I_{DDB}$		0.9	1.4		
	$V_{IN} = V_{DDA}$ (CA-IS3710L); $V_{IN} = 0V$ (CA-IS3710H)	$I_{DDA}$		1.4	2.1		
		$I_{DDB}$		0.9	1.4		
Supply Current – AC Signal	All Channels Switching with 50% Duty Cycle Square Wave Clock Input with 5V Amplitude; $C_L = 15$ pF for Each Channel	1Mbps (500kHz)	$I_{DDA}$		1.0		1.5
		10Mbps (5MHz)	$I_{DDB}$		1.0		1.5
			$I_{DDA}$		1.0		1.5
		100Mbps (50MHz)	$I_{DDB}$		1.2		1.8
			$I_{DDA}$		1.0	1.5	
		$I_{DDB}$		3.7	5.6		
<b>CA-IS3720</b>							
Supply Current – DC Signal	$V_{IN} = 0V$ (CA-IS3720L); $V_{IN} = V_{DDI}^1$ (CA-IS3720H)	$I_{DDA}$		0.8	1.2	mA	
		$I_{DDB}$		1.6	2.3		
	$V_{IN} = V_{DDI}$ (CA-IS3720L); $V_{IN} = 0V$ (CA-IS3720H)	$I_{DDA}$		2.3	3.5		
		$I_{DDB}$		1.6	2.4		
Supply Current – AC Signal	All Channels Switching with 50% Duty Cycle Square Wave Clock Input with 5V Amplitude; $C_L = 15$ pF for Each Channel	1Mbps (500kHz)	$I_{DDA}$		1.6		2.3
		10Mbps (5MHz)	$I_{DDB}$		1.7		2.6
			$I_{DDA}$		1.6		2.3
		100Mbps (50MHz)	$I_{DDB}$		2.2		3.3
			$I_{DDA}$		1.6	2.3	
		$I_{DDB}$		7.2	10.7		
<b>CA-IS3721</b>							
Supply Current – DC Signal	$V_{IN} = 0V$ (CA-IS3721L); $V_{IN} = V_{DDI}$ (CA-IS3721H)	$I_{DDA}$		1.3	2.0	mA	
		$I_{DDB}$		1.3	2.0		
	$V_{IN} = V_{DDI}$ (CA-IS3721L); $V_{IN} = 0V$ (CA-IS3721H)	$I_{DDA}$		2.1	3.1		
		$I_{DDB}$		2.1	3.1		
Supply Current – AC Signal	All Channels Switching with 50% Duty Cycle Square Wave Clock Input with 5V Amplitude; $C_L = 15$ pF for Each Channel	1Mbps (500kHz)	$I_{DDA}$		1.8		2.6
		10Mbps (5MHz)	$I_{DDB}$		1.8		2.6
			$I_{DDA}$		2.0		3.0
		100Mbps (50MHz)	$I_{DDB}$		2.0		3.0
			$I_{DDA}$		4.5	6.7	
		$I_{DDB}$		4.5	6.7		
<b>CA-IS3722</b>							
Supply Current – DC Signal	$V_{IN} = 0V$ (CA-IS3722L); $V_{IN} = V_{DDI}$ (CA-IS3722H)	$I_{DDA}$		1.3	2.0	mA	
		$I_{DDB}$		1.3	2.0		
	$V_{IN} = V_{DDI}$ (CA-IS3722L); $V_{IN} = 0V$ (CA-IS3722H)	$I_{DDA}$		2.1	3.1		
		$I_{DDB}$		2.1	3.1		
Supply Current – AC Signal	All Channels Switching with 50% Duty Cycle Square Wave Clock Input with 5V Amplitude; $C_L = 15$ pF for Each Channel	1Mbps (500kHz)	$I_{DDA}$		1.8		2.6
		10Mbps (5MHz)	$I_{DDB}$		1.8		2.6
			$I_{DDA}$		2.0		3.0
		100Mbps (50MHz)	$I_{DDB}$		2.0		3.0
			$I_{DDA}$		4.5	6.7	
		$I_{DDB}$		4.5	6.7		
<b>Note:</b>							
1. $V_{DDI}$ = Input-side $V_{DD}$							

**7.10. Timing Characteristics**
**7.10.1.  $V_{DDA} = V_{DDB} = 5\text{ V} \pm 10\%$ ,  $T_A = -40$  to  $125^\circ\text{C}$** 

PARAMETER		TEST CONDITIONS	MIN	TYP	MAX	UNIT
DR	Data Rate		0		150	Mbps
$PW_{\min}$	Minimum Pulse Width				5.0	ns
$t_{\text{PLH}}, t_{\text{PHL}}$	Propagation Delay Time	<i>See Figure 8-1</i>	5.0	8.0	13.0	ns
PWD	Pulse Width Distortion $ t_{\text{PLH}} - t_{\text{PHL}} $		0.2	4.5		ns
$t_{\text{sk(o)}}$	Channel-to-channel Output Skew Time <sup>1</sup>	Same-direction	0.4	2.5		ns
$t_{\text{sk(pp)}}$	Part-to-part Skew Time <sup>2</sup>		2.0	4.5		ns
$t_r$	Output Signal Rise Time	<i>See Figure 8-1</i>	2.5	4.0		ns
$t_f$	Output Signal Fall Time	<i>See Figure 8-1</i>	2.5	4.0		ns
$t_{\text{DO}}$	Default Output Delay Time from Input Power Loss	<i>See Figure 8-2</i>	8	12		ns
$t_{\text{SU}}$	Start-up Time		15	40		$\mu\text{s}$

**NOTE:**

- $t_{\text{sk(o)}}$  is the skew between outputs of a single device with all driving inputs connected together and the outputs switching in the same direction while driving identical loads.
- $t_{\text{sk(pp)}}$  is the magnitude of the difference in propagation delay times between any terminals of different devices switching in the same direction while operating at identical supply voltages, temperature, input signals and loads.

**7.10.2.  $V_{DDA} = V_{DDB} = 3.3\text{ V} \pm 10\%$ ,  $T_A = -40$  to  $125^\circ\text{C}$** 

PARAMETER		TEST CONDITIONS	MIN	TYP	MAX	UNIT
DR	Data Rate		0		150	Mbps
$PW_{\min}$	Minimum Pulse Width				5.0	ns
$t_{\text{PLH}}, t_{\text{PHL}}$	Propagation Delay Time	<i>See Figure 8-1</i>	5.0	8.0	13.0	ns
PWD	Pulse Width Distortion $ t_{\text{PLH}} - t_{\text{PHL}} $		0.2	4.5		ns
$t_{\text{sk(o)}}$	Channel-to-channel Output Skew Time <sup>1</sup>	Same-direction	0.4	2.5		ns
$t_{\text{sk(pp)}}$	Part-to-part Skew Time <sup>2</sup>		2.0	4.5		ns
$t_r$	Output Signal Rise Time	<i>See Figure 8-1</i>	2.5	4.0		ns
$t_f$	Output Signal Fall Time	<i>See Figure 8-1</i>	2.5	4.0		ns
$t_{\text{DO}}$	Default Output Delay Time from Input Power Loss	<i>See Figure 8-2</i>	8	12		ns
$t_{\text{SU}}$	Start-up Time		15	40		$\mu\text{s}$

**NOTE:**

- $t_{\text{sk(o)}}$  is the skew between outputs of a single device with all driving inputs connected together and the outputs switching in the same direction while driving identical loads.
- $t_{\text{sk(pp)}}$  is the magnitude of the difference in propagation delay times between any terminals of different devices switching in the same direction while operating at identical supply voltages, temperature, input signals and loads.

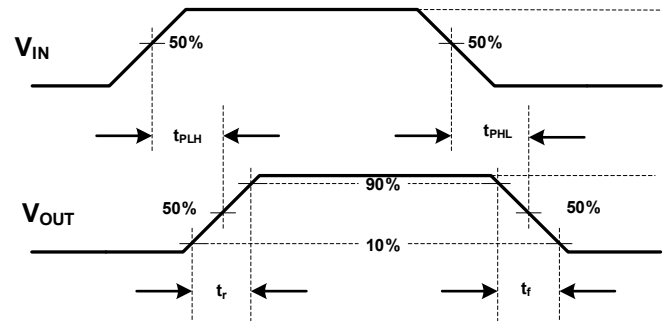
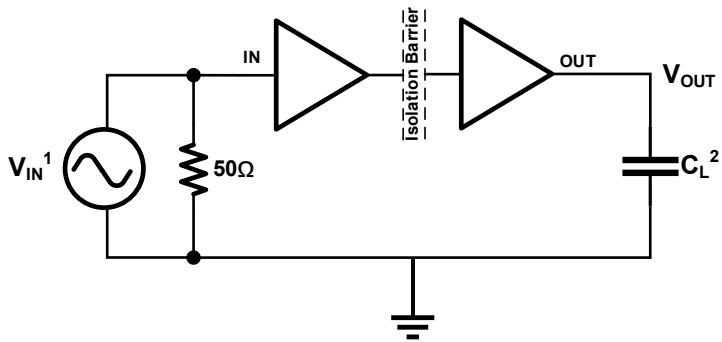
**7.10.3.  $V_{DDA} = V_{DDB} = 2.5\text{ V} \pm 5\%$ ,  $T_A = -40$  to  $125^\circ\text{C}$** 

PARAMETER		TEST CONDITIONS	MIN	TYP	MAX	UNIT
DR	Data Rate		0		150	Mbps
$PW_{\min}$	Minimum Pulse Width				5.0	ns
$t_{\text{PLH}}, t_{\text{PHL}}$	Propagation Delay Time	<i>See Figure 8-1</i>	5.0	8.0	13.0	ns
PWD	Pulse Width Distortion $ t_{\text{PLH}} - t_{\text{PHL}} $		0.2	5.0		ns
$t_{\text{sk(o)}}$	Channel-to-channel Output Skew Time <sup>1</sup>	Same-direction	0.4	2.5		ns
$t_{\text{sk(pp)}}$	Part-to-part Skew Time <sup>2</sup>		2.0	5.0		ns
$t_r$	Output Signal Rise Time	<i>See Figure 8-1</i>	2.5	4.0		ns
$t_f$	Output Signal Fall Time	<i>See Figure 8-1</i>	2.5	4.0		ns
$t_{\text{DO}}$	Default Output Delay Time from Input Power Loss	<i>See Figure 8-2</i>	8	12		ns
$t_{\text{SU}}$	Start-up Time		15	40		$\mu\text{s}$

**NOTE:**

- $t_{\text{sk(o)}}$  is the skew between outputs of a single device with all driving inputs connected together and the outputs switching in the same direction while driving identical loads.
- $t_{\text{sk(pp)}}$  is the magnitude of the difference in propagation delay times between any terminals of different devices switching in the same direction while operating at identical supply voltages, temperature, input signals and loads.

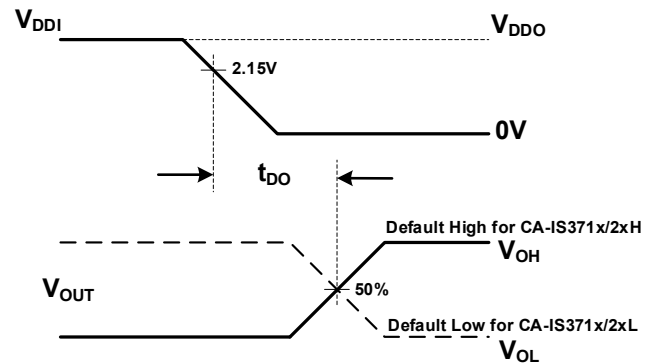
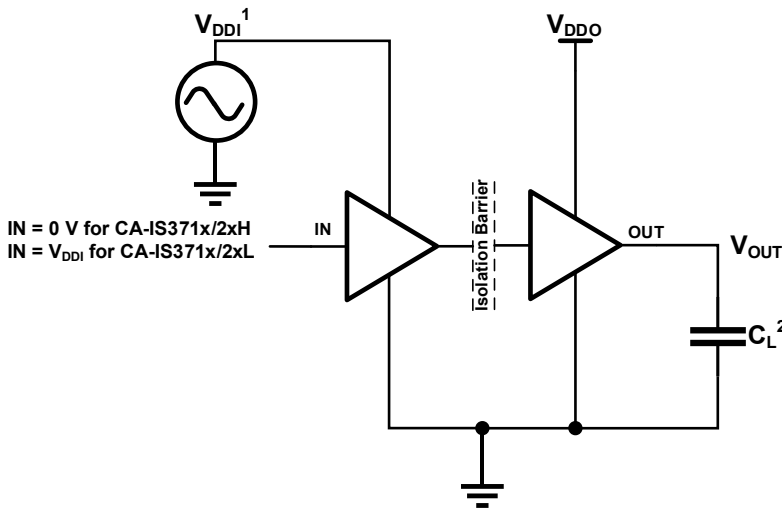
### 8. Parameter Measurement Information



**NOTE:**

1. A square wave generator generate the  $V_{IN}$  input signal with the following constraints: waveform frequency  $\leq 100\text{kHz}$ , 50% duty cycle,  $t_r \leq 3\text{ns}$ ,  $t_f \leq 3\text{ns}$ . Since the waveform generator has an output impedance of  $Z_{out} = 50\Omega$ , the  $50\Omega$  resistor in the figure is used for matching. There is no need in the actual application.
2.  $C_L$  is the load capacitance about 15pF together with the instrumentation capacitance. Since the load capacitance influence the output rising time, it's a key factor in the timing characteristic measurement.

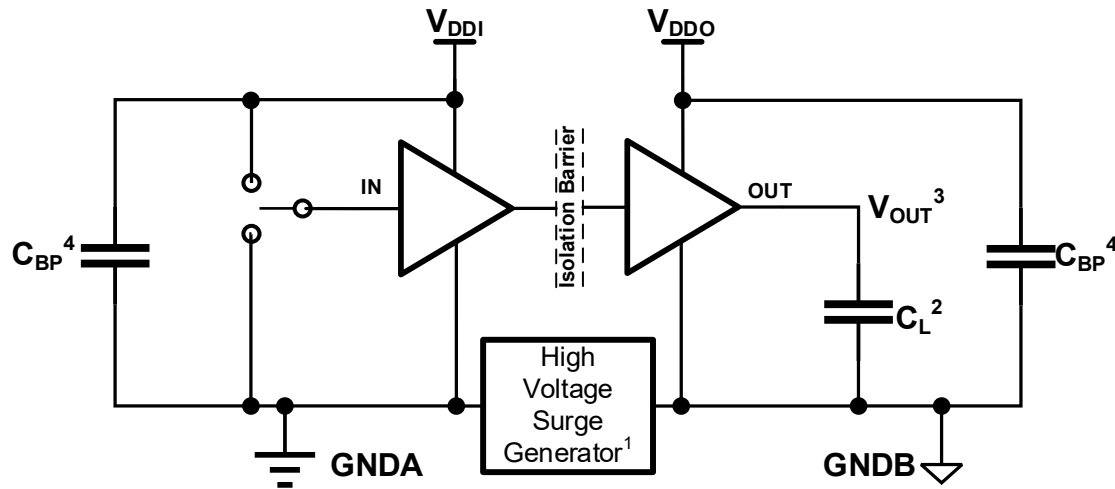
**Figure 8-1 Timing Characteristics Test Circuit and Voltage Waveforms**



**NOTE:**

1. Power Supply Ramp Rate = 10 mV/ns.  $V_{DDI}$  should ramp over 2.15V but no higher than 5.5V.
2.  $C_L$  is the load capacitance about 15pF together with the instrumentation capacitance. Since the load capacitance influence the output rising time, it's a key factor in the timing characteristic measurement.

**Figure 8-2 Default Output Delay Time Test Circuit and Voltage Waveforms**

**NOTE:**

1. The High Voltage Surge Generator generates repetitive high voltage surges with > 1kV amplitude and <10ns rise time and fall time to reach common-mode transient noise with > 100kV/ $\mu$ s slew rate.
2.  $C_L$  is the load capacitance about 15pF together with the instrumentation capacitance.
3. Pass-fail criteria: The output must remain stable whenever the high voltage surges come.
4.  $C_{BP}$  is the 0.1 ~ 1 $\mu$ F bypass capacitance.

**Figure 8-3 Common-Mode Transient Immunity Test Circuit**



## 9. Detailed Description

### 9.1. Theory of Operation

The CA-IS371x/2x family of devices use a simple ON-OFF keying (OOK) modulation scheme to transmit signal across the SiO<sub>2</sub> isolation capacitors that provide a robust insulation between two different voltage domain and act as a high frequency signal path between the input and the output. The transmitter (TX) modulates the input signal onto the carrier frequency, that is, TX delivers high frequency signal across the isolation barrier in one input state and delivers no signal across the barrier in the other input state. Then the receiver rebuilds the input signal according to the detected in-band energy. This simple architecture offers a robust isolated data path and requires no special considerations or initialization at start-up. The capacitor-based signal path is fully differential to maximize noise immunity, which is also known as common-mode transient immunity. Advanced circuitry techniques are applied for better EMI introduced by the carrier signal and IO switching. The capacitively-coupled architecture provides much higher electromagnetic immunity compared to the inductively-coupled one. And OOK modulation scheme eliminates the missing-pulse error that occurs in the pulse modulation method. A simplified functional block diagram and conceptual operation waveforms of a single channel is shown in Figure 9-1 and Figure 9-2.

### 9.2. Functional Block Diagram

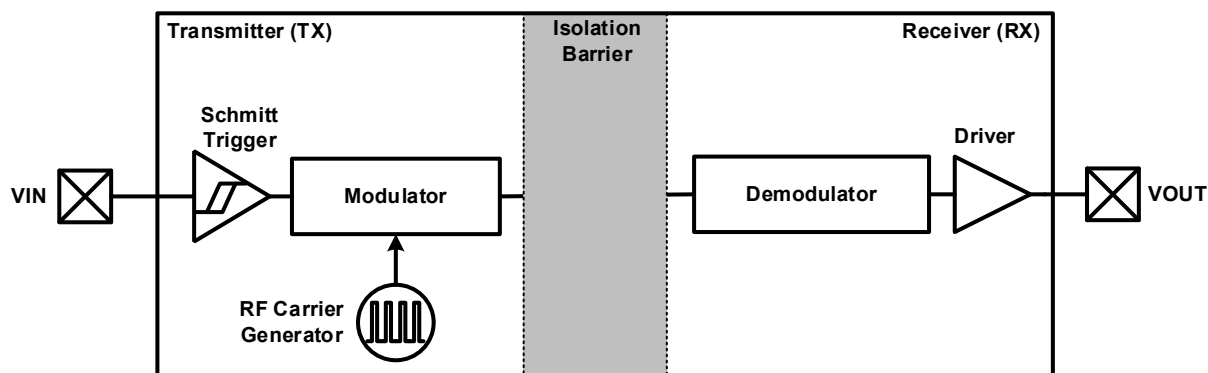


Figure 9-1 Functional Block Diagram of a Single Channel

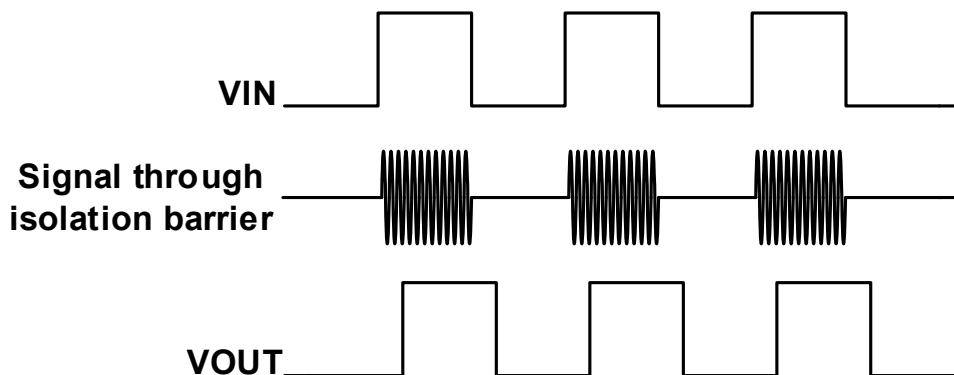


Figure 9-2 Conceptual Operation Waveforms of a Single Channel

### 9.3. Device Operation Modes

Table 9-1 provides the operation modes for the CA-IS371x/2x devices.

**Table 9-1 Operation Mode Table<sup>1</sup>**

V <sub>DDI</sub>	V <sub>DDO</sub>	INPUT(A <sub>x</sub> /B <sub>x</sub> ) <sup>2</sup>	OUTPUT (A <sub>x</sub> /B <sub>x</sub> )	OPERATION
PU	PU	H	H	Normal operation mode: A channel's output follows the input state
		L	L	
		Open	Default	Default output fail-safe mode: If a channel's input is left open, its output goes to the default value (Low for CA-IS371x/2xL and High for CA-IS371x/2xH).
PD	PU	X	Default	Default output fail-safe mode: If the input side VDD is unpowered, the outputs go in to the default output fail-safe mode (Low for CA-IS371x/2xL and High for CA-IS371x/2xH)
X	PD	X	Undetermined	If the output side VDD is unpowered, the outputs' states are undetermined. <sup>3</sup>

**NOTE:**

1. V<sub>DDI</sub> = Input-side V<sub>DD</sub>; V<sub>DDO</sub> = Output-side V<sub>DD</sub>; PU = Powered up (VCC ≥ 2.375 V); PD = Powered down (VCC ≤ 2.25 V); X = Irrelevant; H = High level; L = Low level.
2. A strongly driven input signal can weakly power the floating V<sub>DD</sub> through an internal protection diode and cause undetermined output.
3. The outputs are in undetermined state when 2.25V < V<sub>DDI</sub>, V<sub>DDO</sub> < 2.375 V.

## 10. Application and Implementation

Unlike optocouplers, which need external components to improve performance, provide bias, or limit current, the CA-IS371x/2x family device CMOS digital isolator needs only two external VDD bypass capacitors (0.1μF to 1 μF) to operate. Its TTL level compatible input terminals draw only micro amps of leakage current, allowing them to be driven without external buffering circuits. The output terminals have a characteristic impedance of 50 Ω (rail-to-rail swing) and are available in both forward and reverse channel configurations. Figure 10-1 shows the typical application of CA-IS3721 device. And the circuit of Figure 10-2 is typical for most applications of CA-IS37xx series products and is as easy to use as a standard logic gate.

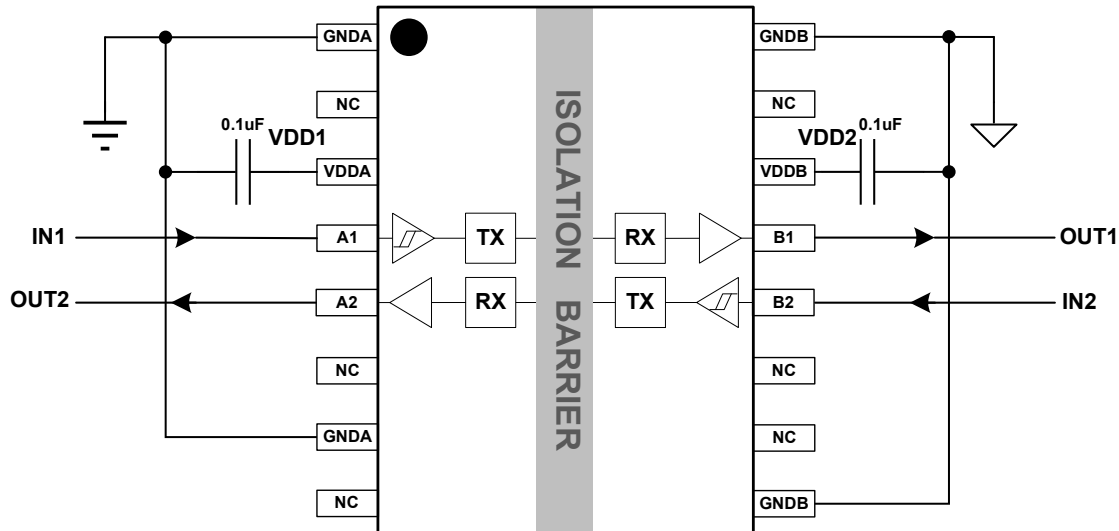


Figure 10-1 Typical Application Circuit of CA-IS3721 in SOIC-16 Package

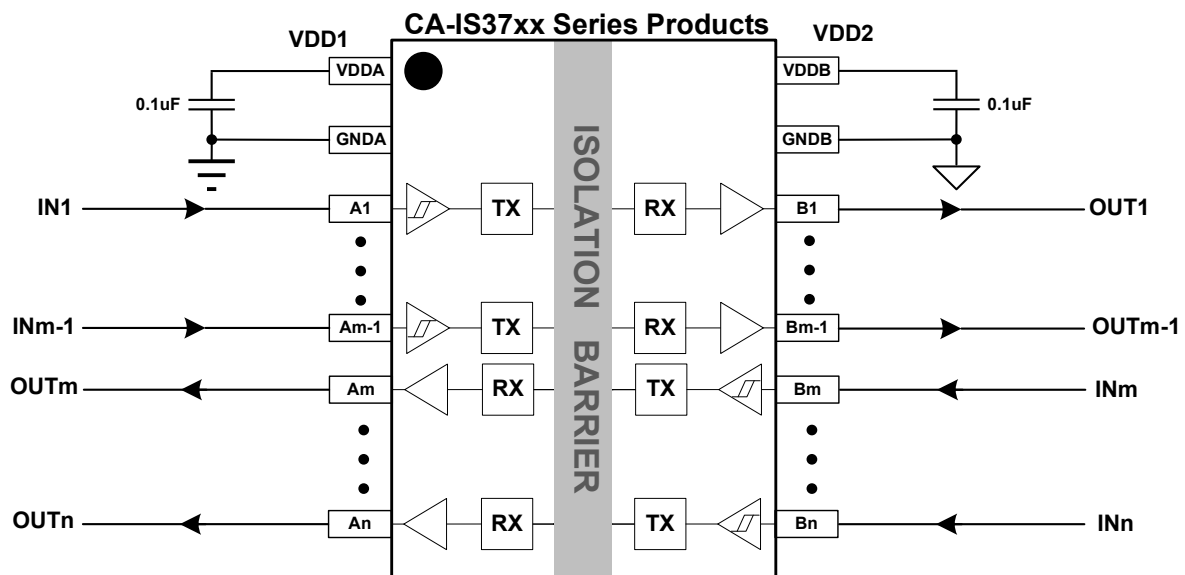
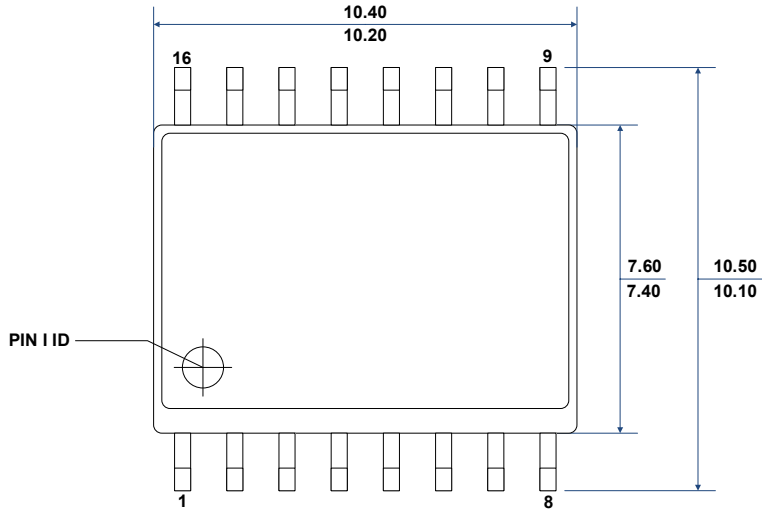


Figure 10-2 CA-IS37xx Series Digital Isolator Application Schematic

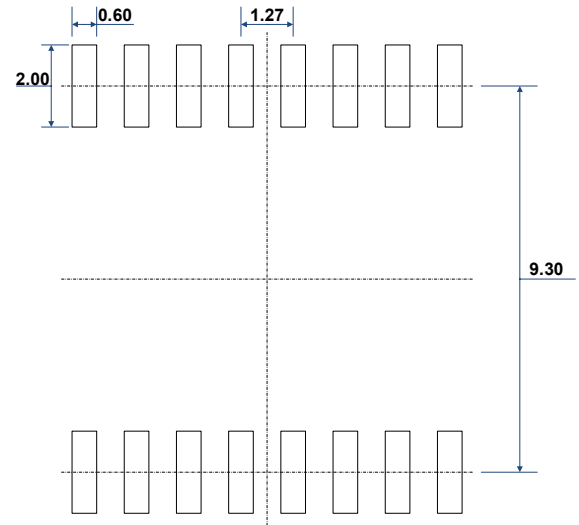
## 11. Package Information

### 11.1. 16-Pin Wide Body SOIC Package Outline

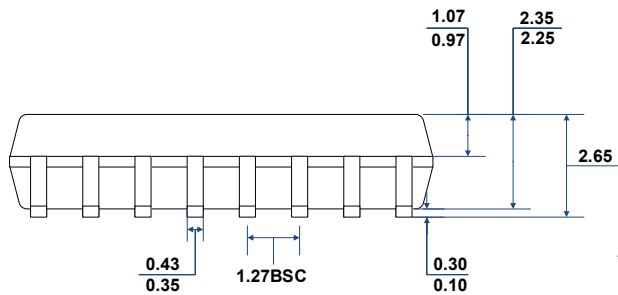
The figure below illustrates the package details and the recommended land pattern details for the CA-IS371x/2x digital isolator in a 16-pin wide-body SOIC package. The values for the dimensions are shown in millimeters.



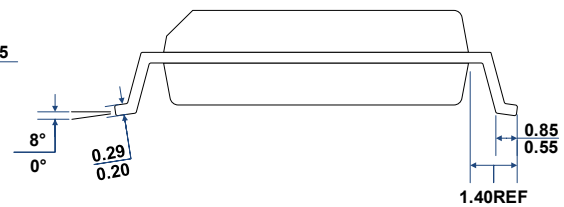
**TOP VIEW**



**RECOMMENDED LAND PATTERN**



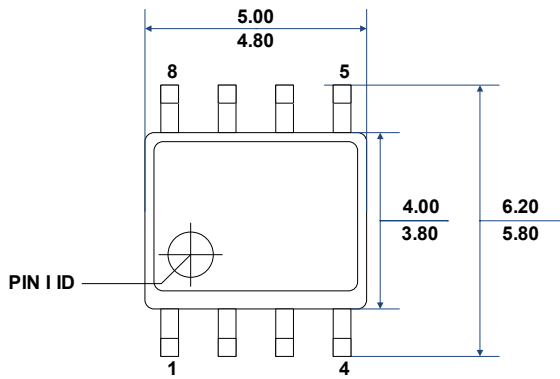
**FRONT VIEW**



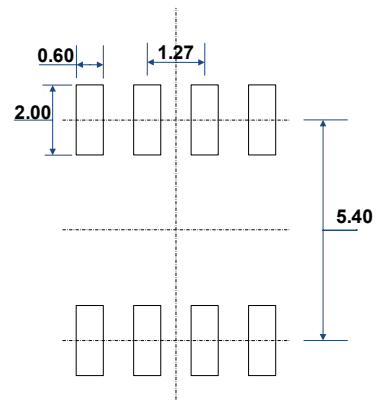
**LEFT-SIDE VIEW**

**11.2. 8-Pin SOIC Package Outline**

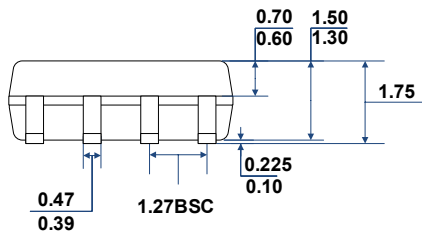
The figure below illustrates the package details and the recommended land pattern details for the CA-IS371x/2x digital isolator in a 8-pin narrow-body SOIC package. The values for the dimensions are shown in millimeters.



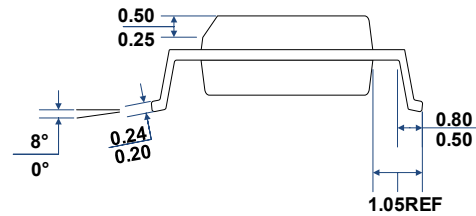
**TOP VIEW**



**RECOMMENDED LAND PATTERN**



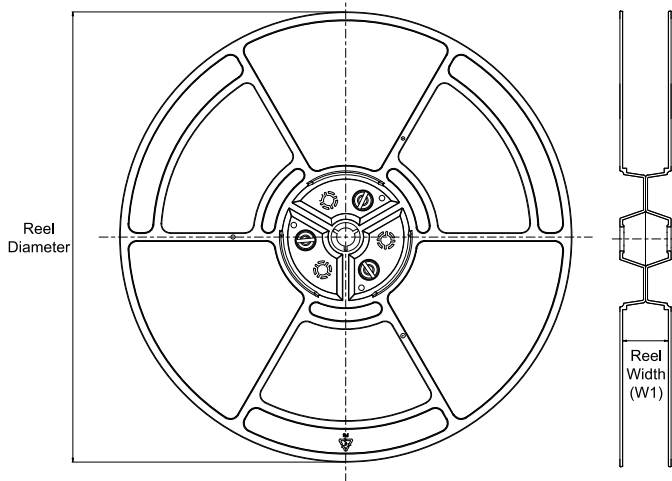
**FRONT VIEW**



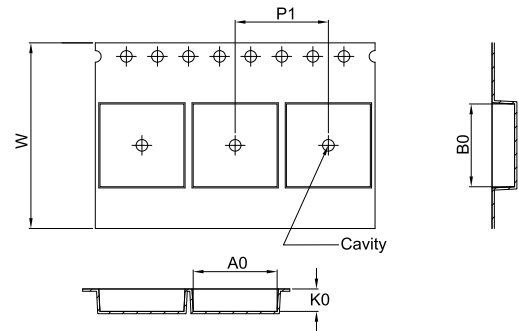
**LEFT-SIDE VIEW**

**TAPE AND REEL INFORMATION**

**REEL DIMENSIONS**

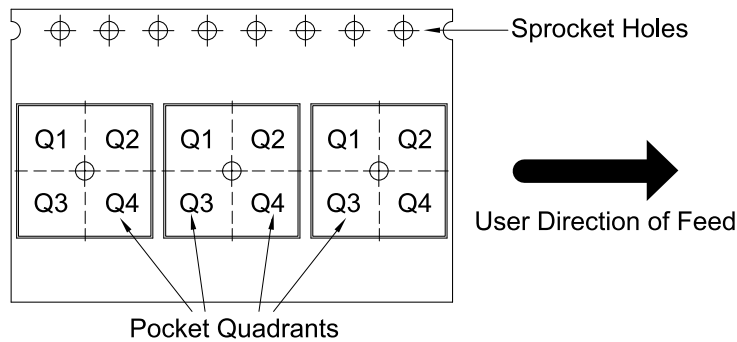


**TAPE DIMENSIONS**



A0	Dimension designed to accommodate the component width
B0	Dimension designed to accommodate the component length
K0	Dimension designed to accommodate the component thickness
W	Overall width of the carrier tape
P1	Pitch between successive cavity centers

**QUADRANT ASSIGNMENTS FOR PIN 1 ORIENTATION IN TAPE**



\*All dimensions are nominal

Device	Package Type	Package Drawing	Pins	SPQ	Reel Diameter (mm)	Reel Width W1 (mm)	A0 (mm)	B0 (mm)	K0 (mm)	P1 (mm)	W (mm)	Pin1 Quadrant
CA-IS3710LSR	SOIC	S	8	5000	330	12.4	6.5	5.4	2.1	8.0	12.0	Q1
CA-IS3710LWR	SOIC	W	16	1200	330	16.4	10.8	10.7	2.9	12.0	24.0	Q1
CA-IS3710HSR	SOIC	S	8	5000	330	12.4	6.5	5.4	2.1	8.0	12.0	Q1
CA-IS3710HWR	SOIC	W	16	1200	330	16.4	10.8	10.7	2.9	12.0	24.0	Q1
CA-IS3720LSR	SOIC	S	8	5000	330	12.4	6.5	5.4	2.1	8.0	12.0	Q1
CA-IS3720LWR	SOIC	W	16	1200	330	16.4	10.8	10.7	2.9	12.0	24.0	Q1
CA-IS3720HSR	SOIC	S	8	5000	330	12.4	6.5	5.4	2.1	8.0	12.0	Q1
CA-IS3720HWR	SOIC	W	16	1200	330	16.4	10.8	10.7	2.9	12.0	24.0	Q1
CA-IS3721LSR	SOIC	S	8	5000	330	12.4	6.5	5.4	2.1	8.0	12.0	Q1
CA-IS3721LWR	SOIC	W	16	1200	330	16.4	10.8	10.7	2.9	12.0	24.0	Q1
CA-IS3721HSR	SOIC	S	8	5000	330	12.4	6.5	5.4	2.1	8.0	12.0	Q1
CA-IS3721HWR	SOIC	W	16	1200	330	16.4	10.8	10.7	2.9	12.0	24.0	Q1
CA-IS3722LSR	SOIC	S	8	5000	330	12.4	6.5	5.4	2.1	8.0	12.0	Q1
CA-IS3722LWR	SOIC	W	16	1200	330	16.4	10.8	10.7	2.9	12.0	24.0	Q1
CA-IS3722HSR	SOIC	S	8	5000	330	12.4	6.5	5.4	2.1	8.0	12.0	Q1
CA-IS3722HWR	SOIC	W	16	1200	330	16.4	10.8	10.7	2.9	12.0	24.0	Q1

**IMPORTANT NOTICE AND DISCLAIMER**

Chipanalog will reserve rights to change the above-mentioned data due to technical innovation

**Trademark Information**

Chipanalog Inc.®, Chipanalog® are trademarks or registered trademarks of Chipanalog.



<http://www.chipanalog.com>