

## Features

- **High Data Rates:**  
**TPT75176B: 10Mbps @ 5V Supply**  
**TPT75176A: 5Mbps @ 5V Supply**
- **35ns Tx/Rx Propagation Delays;**  
**10ns (Typ) Skew**
- **Full Fail-safe (Open, Short, Terminated) Receivers**
- **Up to 128 Nodes on a Bus (1/4 unit load)**
- **Wide Supply Voltage 3.0V~5.5V**
- **Low Quiescent Supply Current: 3 mA**
- **Bus-Pin Protection:**
  - **±8 kV IEC-ESD Contact**
  - **±15 kV IEC-ESD Air-discharge**
- **Pb-Free**

## Applications

- PROFIBUS® DP and FMS Networks
- SCSI “Fast 40” Drivers and Receivers
- Motor Controller/Position Encoder Systems
- Factory Automation
- Field Bus Networks
- Industrial/Process Control Networks

## Description

3PEAK's TPT75176A/B is enhanced RS485 which exceeds standard TIA/EIA-485-A with ±12kV ESD Protected, 3.0~5.5V powered, single transceiver for balanced communication. It also features the larger output voltage and higher data rate - up to 10Mbps - required by high speed PROFIBUS applications, and is offered in Industrial and Extended Industrial (-40°C to +125°C) temperature ranges.

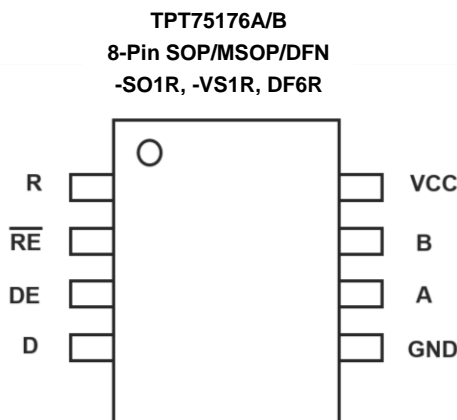
This transceiver requires a 3V~5.5V tolerance supply, and delivers at least a 2.1V differential output voltage on 5V supply condition. This translates into better noise immunity (data integrity), longer reach, or the ability to drive up to three 120Ω terminations in “star” or other non-standard bus topologies, at the exceptional 10Mbps data rate.

Receiver (Rx) inputs feature a “Full Fail-Safe” design, which ensures a logic high Rx output if Rx inputs are floating, shorted, or terminated but undriven. Rx outputs feature high drive levels (typically >25mA @  $V_{OL} = 1V$ ) to ease the design of optically isolated interfaces.

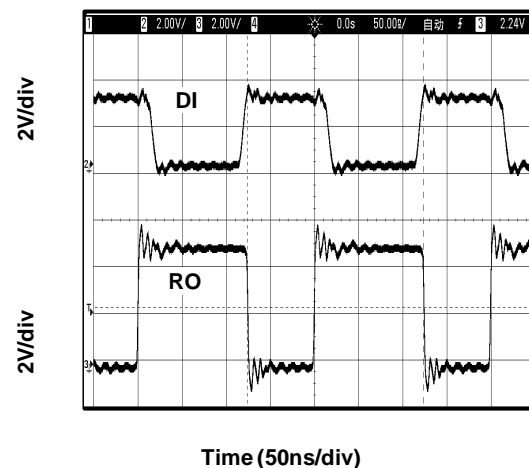
The TPT75176A/B is available in an SOP8, MSOP8 and DFN3X3-8L package, and is characterized from -40°C to 125°C.

3PEAK and the 3PEAK logo are registered trademarks of 3PEAK INCORPORATED. All other trademarks are the property of their respective owners.

## Pin Configuration (Top View)



**Loopback Test At 10Mbps/5V**



## Revision History

Date	Revision	Notes
2019/4/23	Rev. Pre 0.1	Definition Version 0
2019/7/29	Rev. Pre 0.2	Update ESD level
2019/10/22	Rev. 0	Final version

## Order Information

Model Name	Order Number	Package	Transport Media, Quantity	Marking Information
TPT75176A	TPT75176A-SO1R	8-Pin SOP	Tape and Reel, 4,000	T176A
TPT75176A	TPT75176A-VS1R	8-Pin MSOP	Tape and Reel, 3,000	176A
TPT75176A	TPT75176A-DF6R	8-Pin DFN	Tape and Reel, 4,000	176A
TPT75176B	TPT75176B-SO1R	8-Pin SOP	Tape and Reel, 4,000	T176B
TPT75176B	TPT75176B-VS1R	8-Pin MSOP	Tape and Reel, 3,000	176B
TPT75176B	TPT75176B-DF6R	8-Pin DFN	Tape and Reel, 4,000	176B

## Functional Table

### DRIVER PIN FUNCTIONS

INPUT D	ENABLE DE	OUTPUTS		DESCRIPTION
		A	B	
<b>NORMAL MODE</b>				
H	H	H	L	Actively drives bus High
L	H	L	H	Actively drives bus Low
X	L	Z	Z	Driver disabled
X	OPEN	Z	Z	Driver disabled by default
OPEN	H	H	L	Actively drives bus High

### RECEIVER PIN FUNCTIONS

DIFFERENTIAL INPUT $V_{ID} = V_A - V_B$	ENABLE /RE	OUTPUT R	DESCRIPTION
$V_{IT+} < V_{ID}$	L	H	Receive valid bus High
$V_{IT-} < V_{ID} < V_{IT+}$	L	?	Indeterminate bus state
$V_{ID} < V_{IT-}$	L	L	Receive valid bus Low
X	H	Z	Receiver disabled
X	OPEN	Z	Receiver disabled
Open, short, idle Bus	L	H	Indeterminate bus state

## Absolute Maximum Ratings

$V_{DD}$ to GND.....	-0.3V to +7V
Input Voltages DI, DE, RE.....	-0.3V to (VCC + 0.3V)
Input/Output Voltages A, B.....	-9V to +14V
A, B (Transient Pulse Through 100Ω, Note 1).....	±100V
$R_o$ .....	-0.3V to (VCC + 0.3V)
Short Circuit Duration A, B.....	Continuous
ESD Rating.....	See Specification Table

## Recommended Operating Conditions Note 2

Supply Voltage.....	3V~5.5V
Temperature Range.....	-40°C to +125°C
Bus Pin Common Mode Voltage Range .....	-7V to +12V
Thermal Resistance, $\Theta_{JA}$ (Typical) 8-Pin SOP Package .....	158°C/W
8-Pin MSOP Package .....	210°C/W
Maximum Junction Temperature (Plastic Package) .....	+150°C
Maximum Storage Temperature Range .....	-65°C to +150°C

## Electrical Characteristics

Test Conditions:  $V_{CC} = 5V$ ,  $T_a = 25^\circ C$  (unless otherwise noted)

PARAMETER		CONDITIONS		MIN	TYP	MAX	UNITS	
$ V_{OD} $	Driver differential-output voltage magnitude	$R_L = 54 \Omega$ , $V_{CC} = 5V$	See Figure 1A	2.3	2.5		V	
		$R_L = 54 \Omega$ with $V_A$ or $V_B$ from $-7$ to $+12 V$ , $V_{CC} = 5V$ (RS-485)		2.2	2.4			
		$R_L = 54 \Omega$ with $V_A$ or $V_B$ from $-7$ to $+12 V$ , $V_{CC} = 3V$ (RS-485)		1.2	1.5			
$\Delta V_{OD} $	Change in magnitude of driver differential-output voltage	$R_L = 54 \Omega$ , $C_L = 50 \text{ pF}$ , $V_{CC} = 5V$	See Figure 1A	-0.2	-0.002	0.2	V	
$V_{OC(SS)}$	Steady-state common-mode output voltage	Center of two $27 \Omega$ load resistors	See Figure 1A		$V_{CC}/2$		V	
$\Delta V_{OC}$	Change in differential driver common-mode output voltage				0.05		V	
$V_{OC(PP)}$	Peak-to-peak driver common-mode output voltage				0.5			
$C_{OD}$	Differential output capacitance				8		pF	
$V_{IT+}$	Positive-going receiver differential-input voltage threshold	$V_A$ or $V_B$ from $-5$ to $+7 V$			-50	-10	mV	
$V_{IT-}$	Negative-going receiver differential-input voltage threshold	$V_A$ or $V_B$ from $-5$ to $+7 V$		-200	-130		mV	
$V_{HYS}$	Receiver differential-input voltage threshold hysteresis ( $V_{IT+} - V_{IT-}$ )				75		mV	
$V_{IH}$	Logic Input High Voltage	DI, DE, $\overline{RE}$		2			V	
$V_{IL}$	Logic Input Low Voltage	DI, DE, $\overline{RE}$				0.8	V	
$V_{OH}$	Receiver high-level output voltage	$I_{OH} = -8 \text{ mA}$		4			V	
$V_{OL}$	Receiver low-level output voltage	$I_{OL} = 8 \text{ mA}$				0.4	V	
$I_i$	Driver input, driver enable and receiver enable input current	DI, DE, $\overline{RE}$		-2		2	$\mu A$	
$I_{OZ}$	Receiver high-impedance output current	$V_O = 0 V$ or $V_{CC}$ , $\overline{RE}$ at $V_{CC}$		-2		2	$\mu A$	
$ I_{OS} $	Driver short-circuit output current	$ IOS $ with $V_A$ or $V_B$ from $-7$ to $+12 V$			120	300	mA	
$I_{IN}$	Bus input current(driver disabled)	$V_{CC} = 4.5$ to $5.5 V$ or $V_{CC} = 0 V$ , DE at $0 V$	$V_I = 12 V$			1	mA	
			$V_I = -7 V$	-0.8				
$I_{CC}$	Supply current(quiescent)	Driver and receiver enabled	DE = $V_{CC}$ , $\overline{RE} = GND$ , No LOAD		2.2	5	mA	
			Driver enabled, receiver disabled	DE = $V_{CC}$ , $\overline{RE} = V_{CC}$ , No LOAD		1.5		3
			Driver disabled, receiver enabled	DE = GND, $\overline{RE} = GND$ , No LOAD		0.5		1
			Driver and receiver disabled	DE = GND, $\overline{RE} = V_{CC}$ , D = $V_{CC}$ No LOAD		0.1		0.5

## Switching Characteristics: TPT75176B

PARAMETER		CONDITIONS		MIN	TYP	MAX	UNITS
<b>DRIVER</b>							
$f_{MAX}$	Maximum Data Rate	$V_{OD} \geq \pm 1.5V$ , $R_L = 54\Omega$ , $C_L = 100pF$ (Figure 4)				10	Mbps
$t_r$ , $t_f$	Driver differential-output rise and fall times	$R_L = 54\Omega$ , $C_L = 50pF$	See Figure 2		36		ns
$t_{PHL}$ , $t_{PLH}$	Driver propagation delay				35	45	
$t_{SK(P)}$	Driver pulse skew, $ t_{PHL} - t_{PLH} $				5	10	
$t_{PHZ}$ , $t_{PLZ}$	Driver disable time		See Figure 3		70	90	ns
$t_{PHZ}$ , $t_{PLZ}$	Driver enable time	Receiver enabled			70	90	ns
		Receiver disabled		90	120		
<b>RECEIVER</b>							
$t_r$ , $t_f$	Receiver output rise and fall times	$C_L = 15 pF$	See Figure 5		20		ns
$t_{PHL}$ , $t_{PLH}$	Receiver propagation delay time				35	50	
$t_{SK(P)}$	Receiver pulse skew, $ t_{PHL} - t_{PLH} $				10	15	
$t_{PHZ}$ , $t_{PLZ}$	Receiver disable time				45	60	ns
$t_{PZL}$ , $t_{PZH}$	Receiver enable time	Driver enabled	See Figure 6		50	70	ns
		Driver disabled	See Figure 6		70	90	
<b>ESD</b>							
Human Body Model, per ANSI/ESDA/JEDEC JS-001 / ANSI/ESD STM5.5.1		RS-485 Pins (A, B)			±12		kV
		All Other Pins			±4		kV
CDM, per ANSI/ESDA/JEDEC JS-002		RS-485			±1.5		kV

### Test Circuits and Waveforms

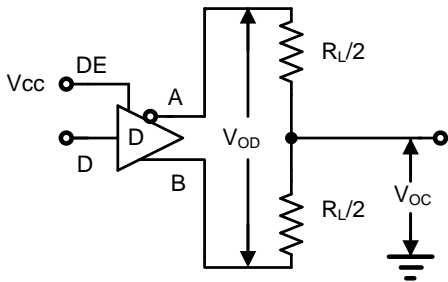


Figure 1A. VOD and VOC

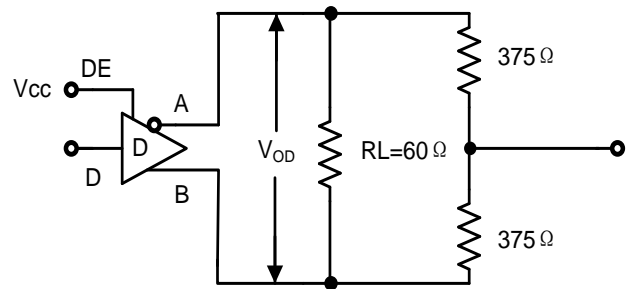


Figure 1B. VOD with Common Mode Load

Figure 1. DC Driver Test Circuits

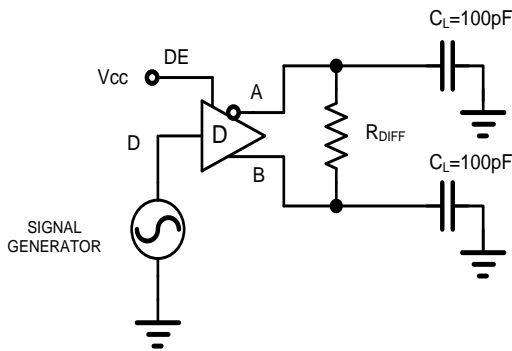


Figure 2A. Test Circuit

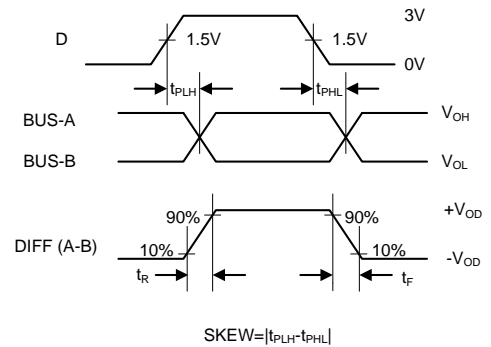


Figure 2B. Measurement Points

Figure 2. Driver Propagation Delay and Differential Transition Times

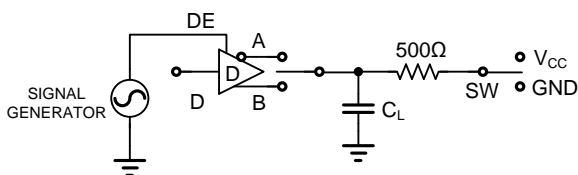


Figure 3A. Test Circuit

PARAMETER	OUTPUT	RE	DI	SW	CL (pF)
tPHZ	A/B	X	1/0	GND	15
tPLZ	A/B	X	0/1	VCC	15
tPZH	A/B	0	1/0	GND	100
tPZL	A/B	0	0/1	VCC	100
tPZH(SHDN)	A/B	1	1/0	GND	100
tPZL(SHDN)	A/B	1	0/1	VCC	100

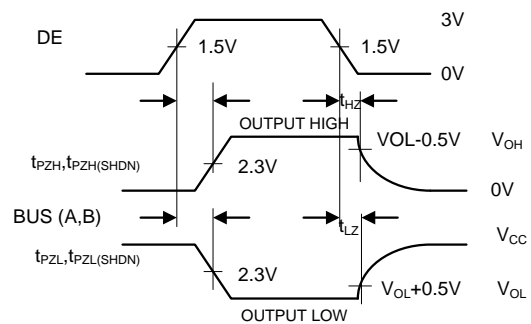


Figure 3B. Measurement Points

Figure 3. Driver Enable and Disable Times

Test Circuits and Waveforms (continue)

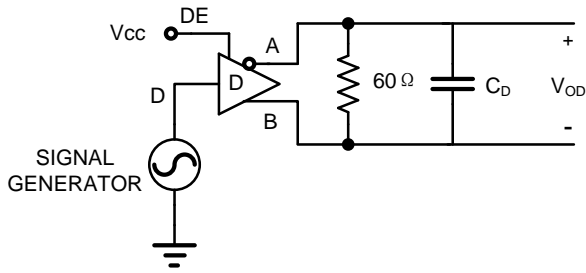


Figure 4A. Test Circuit

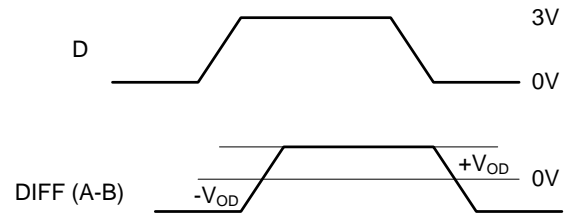


Figure 4B. Measurement Points

Figure 4. Driver Data rate

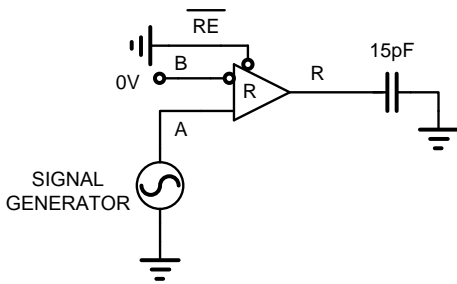


Figure 5A. Test Circuit

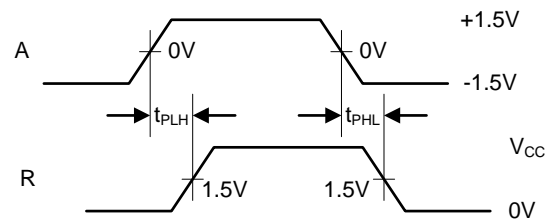


Figure 5B. Measurement Points

Figure 5. Receiver Propagation Delay and Data rate

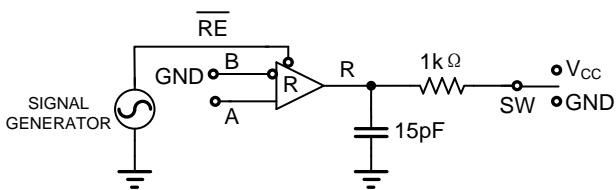


Figure 6A. Test Circuit

PARAMETER	DE	A	SW
tPHZ	1	+1.5V	GND
tPLZ	1	-1.5V	VCC
tPZH	1	+1.5V	GND
tPZL	1	-1.5V	VCC
tPZH(SHDN)	0	+1.5V	GND
tPZL(SHDN)	0	-1.5V	VCC

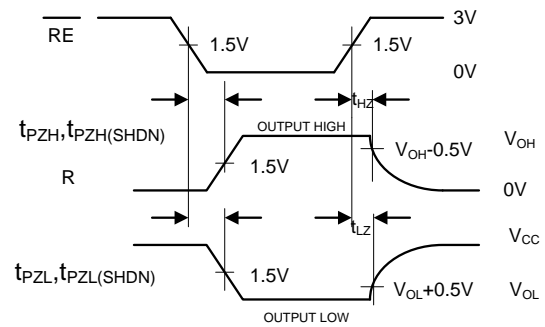
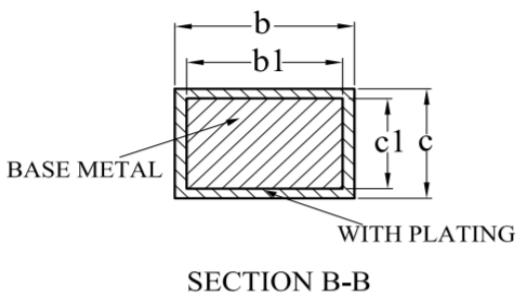
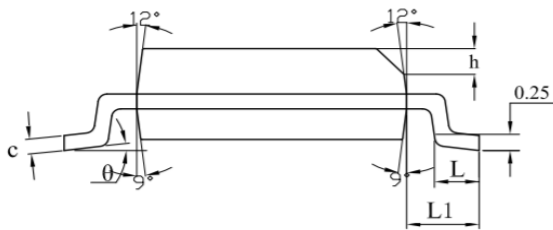
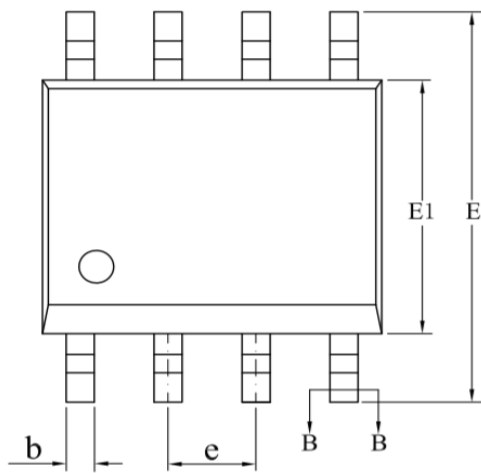
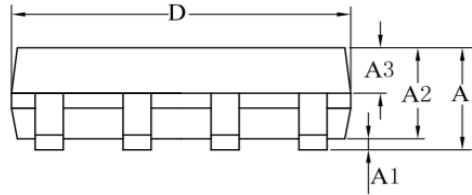


Figure 6B. Measurement Points

Figure 6. Receiver Enable and Disable Times

Package Outline Dimensions

SO1R (SOP8)

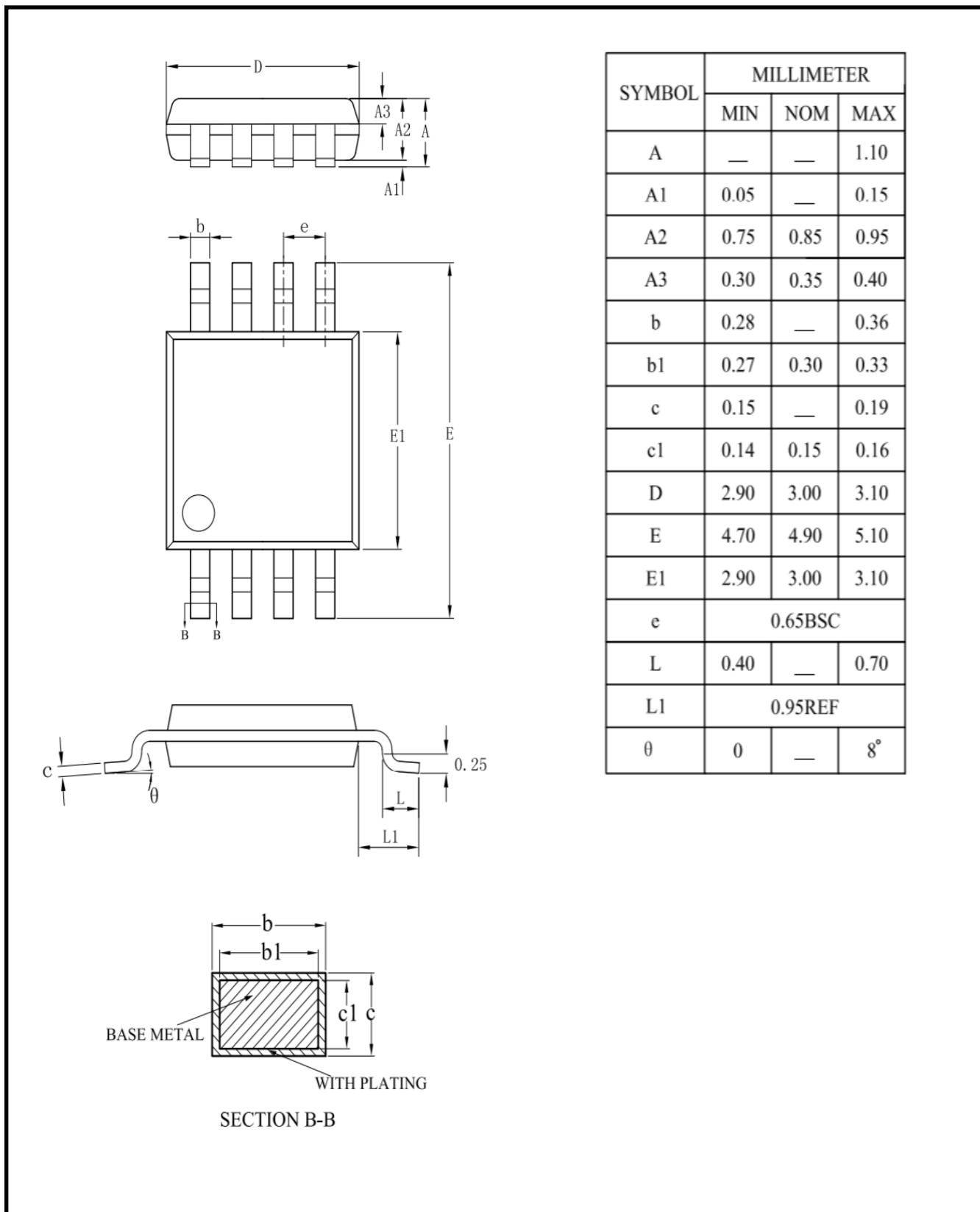


SYMBOL	MILLIMETER		
	MIN	NOM	MAX
A	—	—	1.75
A1	0.10	—	0.225
A2	1.30	1.40	1.50
A3	0.60	0.65	0.70
b	0.39	—	0.47
b1	0.38	0.41	0.44
c	0.20	—	0.24
c1	0.19	0.20	0.21
D	4.80	4.90	5.00
E	5.80	6.00	6.20
E1	3.80	3.90	4.00
e	1.27BSC		
h	0.25	—	0.50
L	0.50	—	0.80
L1	1.05REF		
θ	0	—	8°



### Package Outline Dimensions

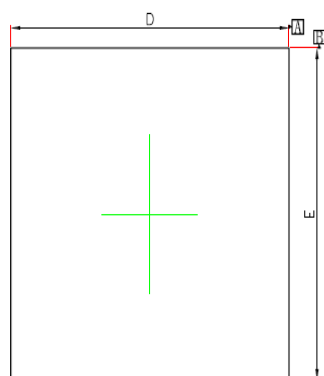
VS1R (MSOP8)



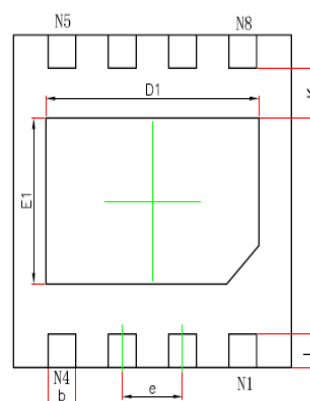
## Package Outline Dimensions

DF6R (DFN3X3-8L)

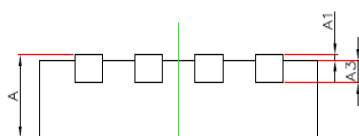
DFNWB3×3-8L-F (P0.65T0.75/0.85) PACKAGE OUTLINE DIMENSIONS



TOP VIEW



BOTTOM VIEW



SIDE VIEW

Symbol	Dimensions In Millimeters		Dimensions In Inches	
	Min.	NOM.	Min.	NOM.
A	0.700/0.800	0.800/0.900	0.028/0.031	0.031/0.035
A1	0.000	0.050	0.000	0.002
A3	0.203REF.		0.008REF.	
D	3.000BSC.		0.118BSC.	
E	3.000BSC.		0.118BSC.	
D1	2.200	2.400	0.087	0.094
E1	1.400	1.600	0.055	0.063
k	0.250MIN.		0.010MIN.	
b	0.250	0.350	0.010	0.014
e	0.650TYP.		0.026TYP.	
L	0.224	0.376	0.009	0.015